



Catalogo ricambi  
*Spare parts catalogue*

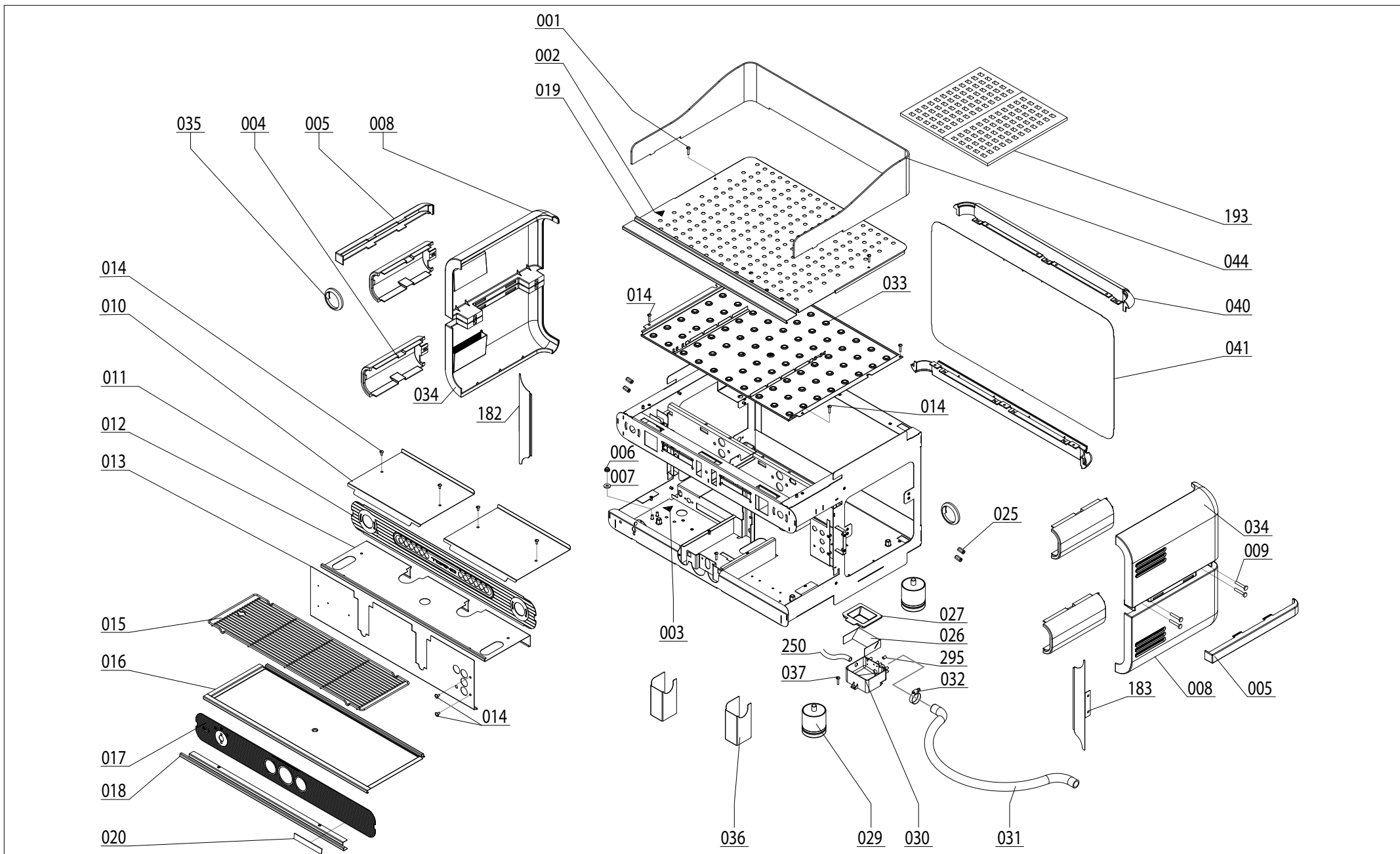
**TORINO**

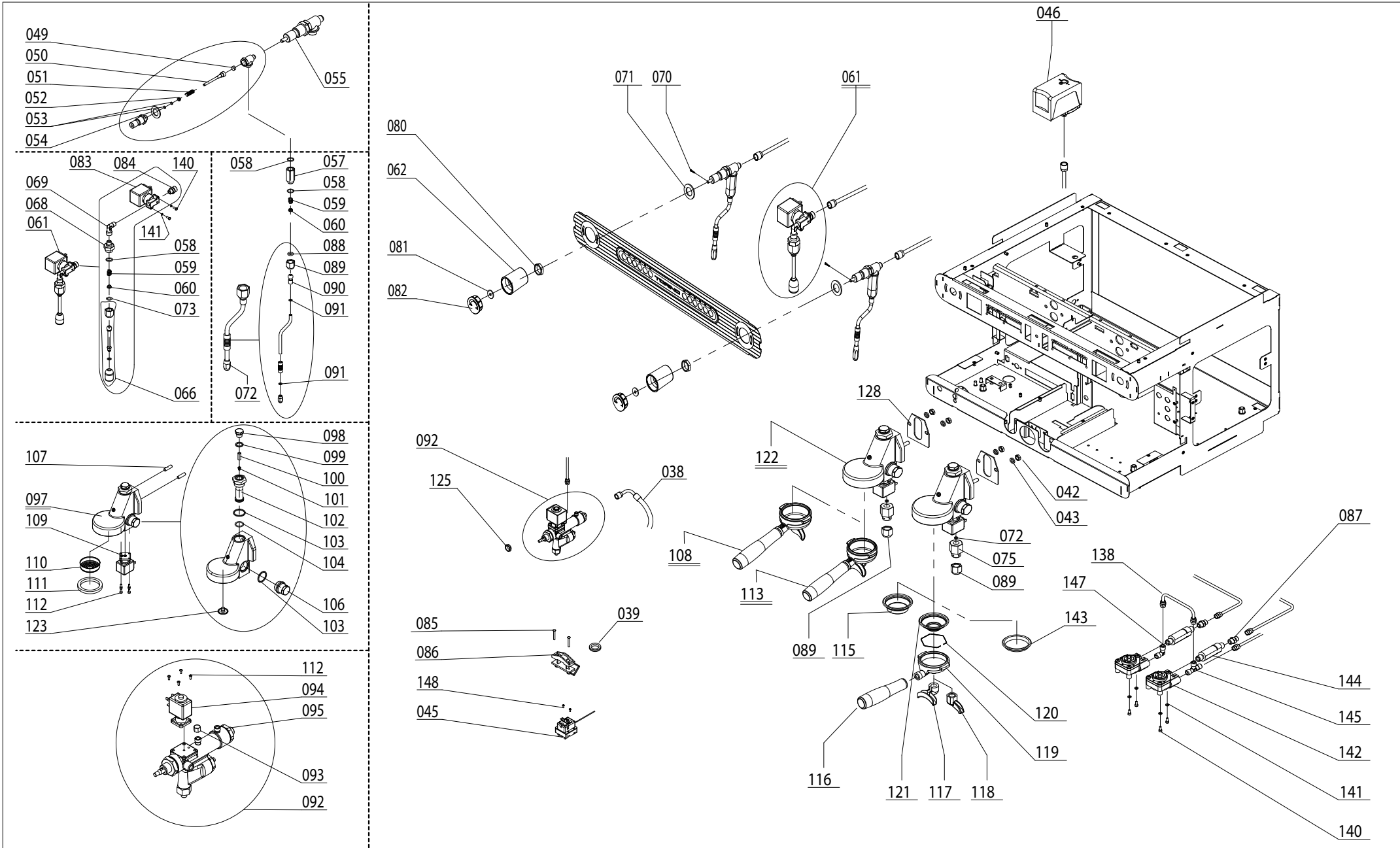
**SANREMO coffee machines s.r.l.**

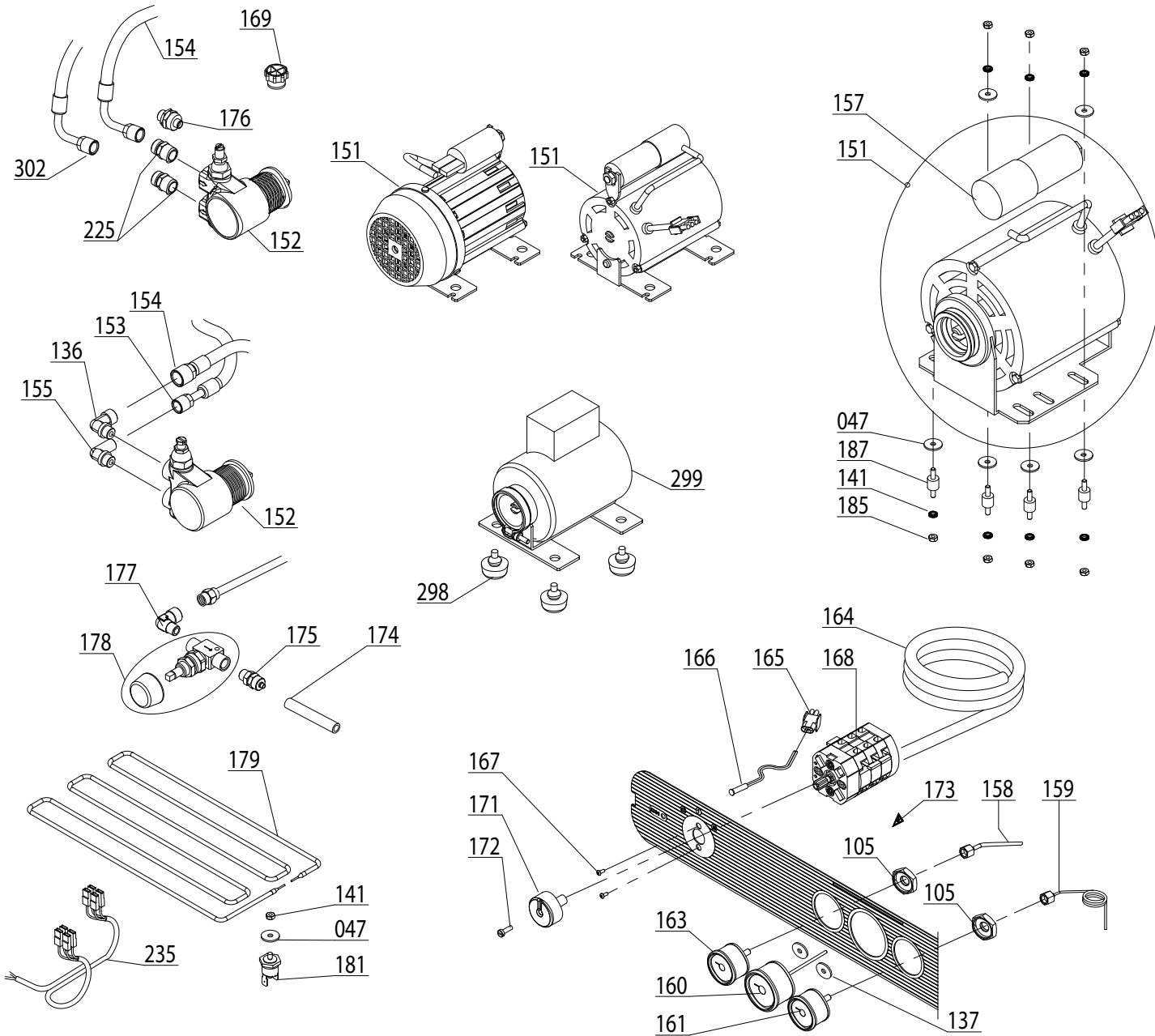
Via Bortolan, 52 - 31050 Vascon di Carbonera (Treviso) ITALY

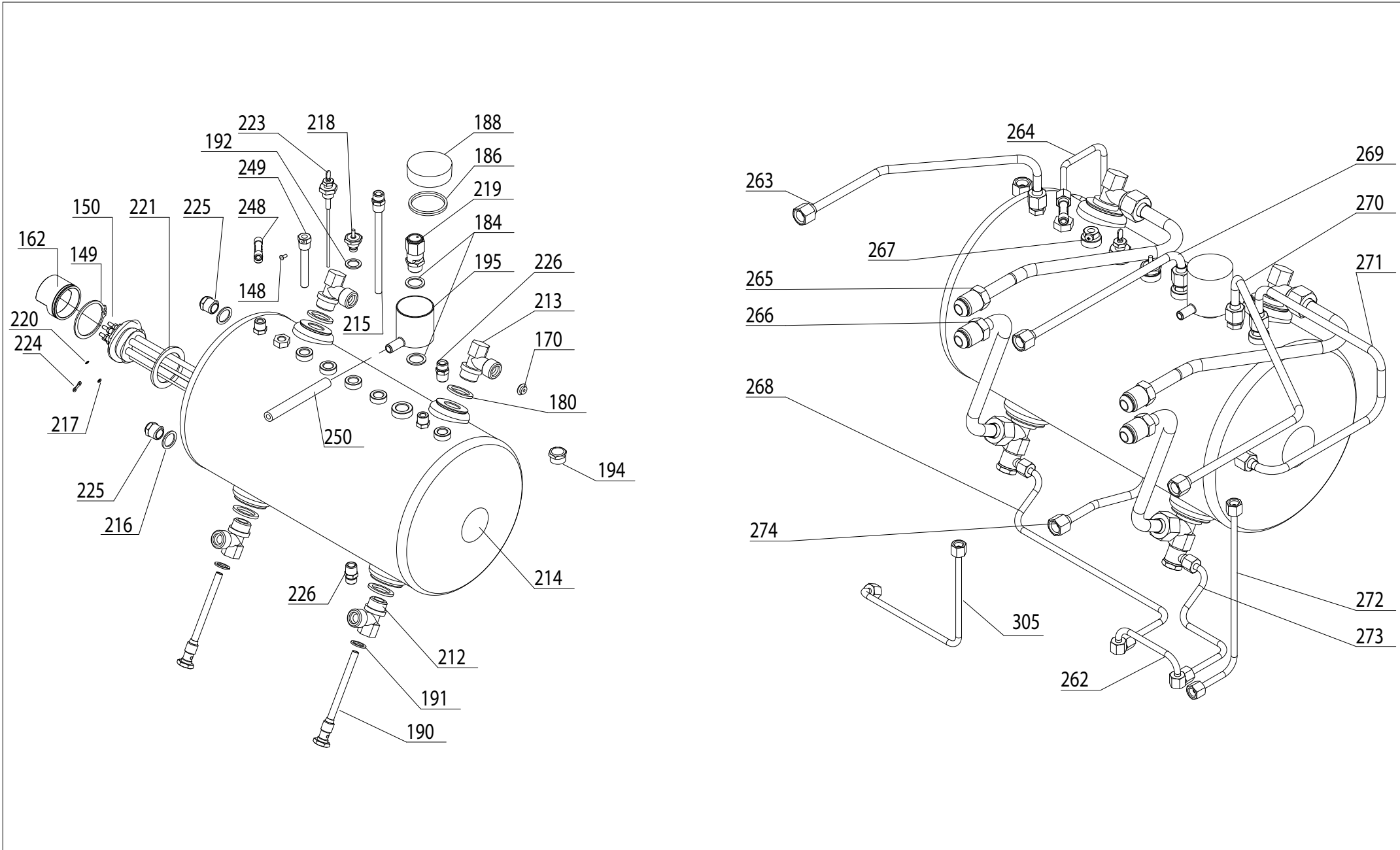
Tel. +39.0422.498900 - Fax. +39.0422.448935

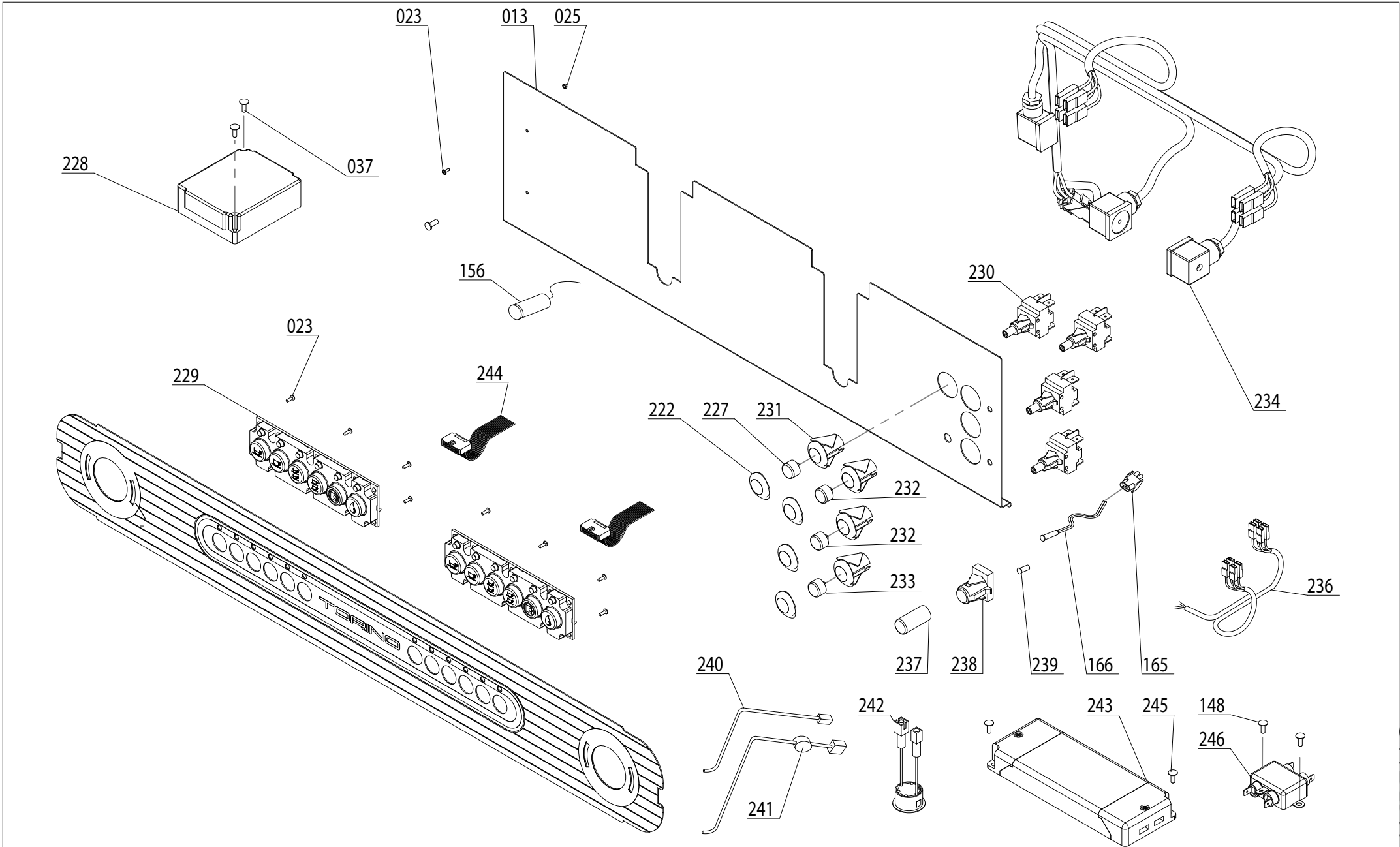
[www.sanremomachines.com](http://www.sanremomachines.com) - E-mail: [info@sanremomachines.com](mailto:info@sanremomachines.com)



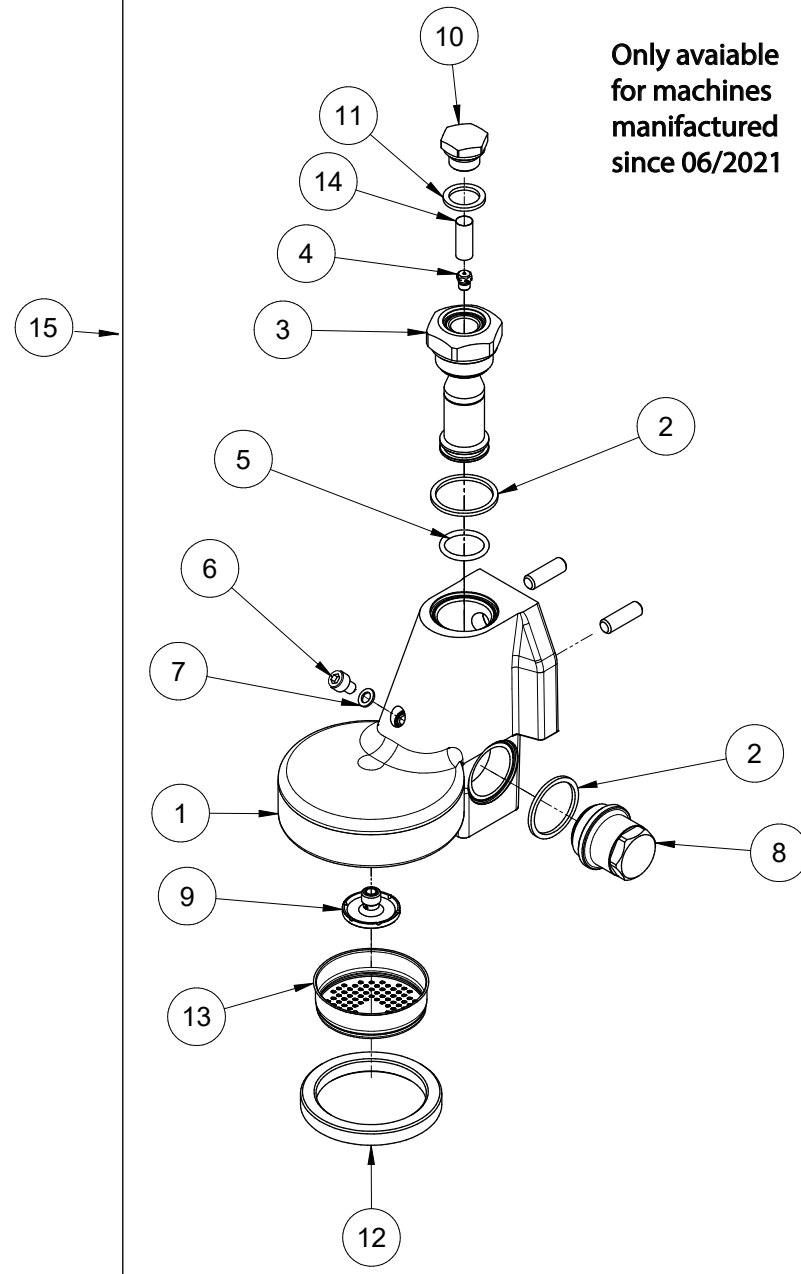








# TORINO



Only available  
for machines  
manufactured  
since 06/2021

# TORINO



POS.	COD.	DESCRIZIONE	DESCRIPTION	BESCHREIBUNG	DESCRIPTION	DESCRIPCIÓN
1	10805022A	VITE TBL- M4X20 A2 POLIERS	SCREW TBL- M4X20 A2 POLIERS	LINSENKOPFSCHRAUBE - M4X20 A2 POLIERS	VIS TBL- M4x20 A2 POLIERS	TORNILLO TBL - M4x20 A2 POLIERS
2	10955013B	ETICHETTA TRIAN.SIM.SUPERF.CALDA	TRIANGULAR HOT SURFACE LABEL	DREIECKIGER AUFKLEBER SYMBOL HEISSE OBERFLÄCHE	ÉTIQUETTE TRIAN. SYMB. SURFACE CHAUDE	ETIQUETA TRIÁNG. SÍMB.SUP.CAL.
3	10955025A	ETICHETTA ADES.SIMBOLO TERRA	TRIANGULAR EARTH LABEL	AUFKLEBER SYMBOL ERDUNG	ÉTIQUETTE ADÉS.SYMBOLE TERRE	ETIQUETA ADHES.SÍMB. TIERRA
4	10015910	FIANCHETTO A C TO CROMATO	SIDE PANEL A C TO CHROMED	C-FÖRMIGES SEITENTEIL TO VERCHROMT	CACHE A C TO CHROMÉ	LADO A C TO CROMADO
5	10015930A	FASCIA LATERALE CROMATA FIANCHI TORINO	CHROMED SIDE FASCIA TORINO SIDE PANELS	SEITENBLENDE VERCHROMT SEITENTEILE TORINO	BANDE LATÉRALE CHROMÉE FLANCS TORINO	FRANJA LATERAL CROMADA LATERALES TORINO
6	10809012	DADO 6MA FLANG.ZIGR.ZN	FLANGED NUT 6MA KNURLED ZN	MUTTER 6MA GEFLANSCHT GERÄNDELT VERZINKT	ÉCROU 6MA BRIDÉ MOLETÉ.ZN	TUERCA 6MA EMBR.MOLETÉ.ZN
7	10803536	RONDELLA D6,2 DENT.ZN	TOOTHED WASHER D6.2 ZN	GEZAHNTE UNTERLEGSCHIEBE D6,2 VERZINKT	RONDELLE D6,2 DENT.ZN	ARANDELA D6,2 DENT.ZN
8a	10016000	FIANCO DX-SUP/SX-INF TO COLORE BIANCO	SIDE PANEL RH-TOP/LH-BOTT. TO WHITE	SEITENTEIL RECHTS OBEN/LINKS UNTEN TO FARBE WEISS	FLANC D-SUP/G-INF TO COULEUR BLANC	LATERAL DCH.-SUP/IZD.-INF TO COLOR BLANCO
8b	10016020	FIANCO DX-SUP/SX-INF TO COLORE NERO	SIDE PANEL RH-TOP/LH-BOTT. TO BLACK	SEITENTEIL RECHTS OBEN/LINKS UNTEN TO FARBE SCHWARZ	FLANC D-SUP/G-INF TO COULEUR NOIR	LATERAL DCH.-SUP/IZD.-INF TO COLOR NEGRO
8c	10016040	FIANCO DX-SUP/SX-INF TO COLORE ROSSO	SIDE PANEL RH-TOP/LH-BOTT. TO RED	SEITENTEIL RECHTS OBEN/LINKS UNTEN TO FARBE ROT	FLANC D-SUP/G-INF TO COULEUR ROUGE	LATERAL DCH.-SUP/IZD.-INF TO COLOR ROJO
9	10805036	VITE TBL+ M4X35 A2 POLIERS	SCREW TBL+ M4X35 A2 POLIERS	LINSENKOPFSCHRAUBE + M4X35 A2 POLIERS	VIS TBL+ M4X35 A2 POLIERS	TORNILLO TBL + M4x35 A2 POLIERS
10	10015828	STAFFA PROTEZIONE CENTRALINA TO2	BRACKET CONTROL UNIT PROTECTION TO2	SCHUTZKONSOLE STEUERGERÄT TO2	BRIDE PROTECTION BOÎTIER TO2	SOPORTE PROTECCIÓN CENTRALITA TO2
11a	10015896B	FRONT. SUP. TO2 SED SERIGRAFATO	TOP FRONT PANEL TO2 SED SCREEN PRINTED	FRONT OBEN TO2 SED SERIGRAFIERT	FRONT. SUP. TO2 SED SÉRIGRAPHIÉ	FRONT. SUP. TO2 SED SERIGRAFIADO
11b	10016804A	FRONT. SUP. TO2 SAP SERIGRAFATO	TOP FRONT PANEL TO2 SAP SCREEN PRINTED	FRONT OBEN TO2 SAP SERIGRAFIERT	FRONT. SUP. TO2 SAP SÉRIGRAPHIÉ	FRONT. SUP. TO2 SAP SERIGRAFIADO
12A	10016481	PROTEZIONE GRUPPI TORINO 2GR	PROTECTION GROUPS TORINO 2GR	SCHUTZ GRUPPEN TORINO 2GR	PROTECTION GROUPES TORINO 2GR	PROTECCIÓN GRUPOS TORINO 2GR
12B	10016483	PROTEZIONE GRUPPI TORINO 2GR CON SPOT	PROTECTION GROUPS TORINO 2GR WITH SPOT	SCHUTZ GRUPPEN TORINO 2GR MIT SPOT	PROTECTION GROUPES TORINO 2GR AVEC SPOT	PROTECCIÓN GRUPOS TORINO 2GR CON SPOT
12C	10016881	PROTEZIONE GRUPPI TORINO 3GR	PROTECTION GROUPS TORINO 3GR	SCHUTZ GRUPPEN TORINO 3GR	PROTECTION GROUPES TORINO 3GR	PROTECCIÓN GRUPOS TORINO 3GR

SEGUE / CONTINUE ---->



# TORINO



POS.	COD.	DESCRIZIONE	DESCRIPTION	BESCHREIBUNG	DESCRIPTION	DESCRIPCIÓN
13A	10016485	PROTEZIONE FRONTALE TORINO 2GR	FRONT PROT. TORINO 2GR	SCHUTZ FRONT TORINO 2GR	PROTECTION FRONTALE TORINO 2GR	PROTECCIÓN FRONTAL TORINO 2GR
13B	10016885	PROTEZIONE FRONTALE TORINO 3GR	FRONT PROT. TORINO 3GR	SCHUTZ FRONT TORINO 3GR	PROTECTION FRONTALE TORINO 3GR	PROTECCIÓN FRONTAL TORINO 3GR
14	10805027A	VITE TBL+ M4x10 A2	SCREW TBL+ M4x10 A2	LINSENKOPFSCHRAUBE M4X10 A2	VIS TBL+ M4X10 A2	TORNILLO TBL + M4x10 A2
15A	10015826B	GRIGLIA SCARICO TORINO 2GR FILINOX	DRAIN GRILLE TORINO 2GR FILINOX	ABLAUFROST TORINO 2GR FILINOX	GRILLE ÉGOUTTOIR TORINO 2GR FILINOX	REJILLA DESCARGA TORINO 2GR FILINOX
15B	10016826A	GRIGLIA SCARICO TORINO 3GR FILINOX	DRAIN GRILLE TORINO 3GR FILINOX	ABLAUFROST TORINO 3GR FILINOX	GRILLE ÉGOUTTOIR TORINO 3GR FILINOX	REJILLA DESCARGA TORINO 3GR FILINOX
16A	10015822A	PIATTO DI SCAR.TORINO 2GR	DRIP TRAY TORINO 2GR	AUFLAUFTELLER TORINO 2GR	PLATEAU ÉGOUTTOIR TORINO 2GR	PLATO DE DESC. TORINO 2GR
16B	10016822	PIATTO DI SCAR.TORINO 3GR	DRIP TRAY TORINO 3GR	AUFLAUFTELLER TORINO 3GR	PLATEAU ÉGOUTTOIR TORINO 3GR	PLATO DE DESC. TORINO 3GR
17A	10015862	FRONT. INF. TO2 SERIGRAFATO	BOTT. FRONT PANEL TO2 SCREEN PRINTED	FRONT UNTEN TO2 SERIGRAPHIERT	FRONT. INF. TO2 SÉRIGRAPHIÉ	FRONT. INF. TO2 SERIGRAFIADO
17B	10016844	FRONT. INF. TO3 SERIGRAFATO	BOTT. FRONT PANEL TO3 SCREEN PRINTED	FRONT UNTEN TO3 SERIGRAPHIERT	FRONT. INF. TO3 SÉRIGRAPHIÉ	FRONT. INF. TO3 SERIGRAFIADO
18A	10015810A	CORNICE INF. TO 2GR	BOTT. FRAME TO 2GR	EINFASSUNG UNTEN TO 2GR	CADRE INF. TO 2GR	MARCO INF. TO 2GR
18B	10016810A	CORNICE INF. TO 3GR	BOTT. FRAME TO 3GR	EINFASSUNG UNTEN TO 3GR	CADRE INF. TO 3GR	MARCO INF. TO 3GR
19A	10015814A	GRIGLIA SUP. TO 2GR	TOP GRILLE TO 2GR	ROST OBEN TO 2GR	GRILLE SUP. TO 2GR	REJILLA SUP. TO 2GR
19B	10016814	GRIGLIA SUP. TO 3GR	TOP GRILLE TO 3GR	ROST OBEN TO 3GR	GRILLE SUP. TO 3GR	REJILLA SUP. TO 3GR
20	10955054B	ETICHETTA SANREMO 101x16,5	LABEL SANREMO 101x16.5	AUFKLEBER SANREMO 101x16,5	ÉTIQUETTE SANREMO 101x16,5	ETIQUETA SANREMO 101x16,5
23	10805126	VITE TC+ M3X6 A2	SCREW TC+ M3X6 A2	ZYLINDERKOPFSCHRAUBE+ M3X6 A2	VIS TC+ M3X6 A2	TORNILLO TC + M3X6 A2
25	10355052	DISTANZIALE ESAGONALE M4	CIRCUIT SPACER HOLES M4	ABSTANDHALTER KREISLAUF ÖFFNUNGEN M4	ENTRETOISE CIRCUIT TOURS M4	SEPARADOR CIRCUITO AGUJEROS M4
26	10012144	ROMPIGETTO PER VASCHETTA SCARICO	FLOW REGULATOR FOR DRIP TRAY	WASSERSTRAHLBRECHER FÜR ABLAUFSCHALE	BRISE-JET POUR CUVE VIDAGE	CORTACHORRO PARA CUBA VACIADO
27	10022476B	COPERCHIO VASCHETTA SCARICO	COVER FOR DRIP TRAY	DECKEL ABLAUFSCHALE	COUVERCLE CUVE VIDAGE	TAPADERA CUBA DE VACIADO
29	10352063	PIEDINO NERO TELES.	FEET BLACK TELES.	TELESKOPFUSS SCHWARZ	PIED NOIR TÉLÉS.	PIE NEGRO TELESC.
30	10022441A	VASCHETTA SCARICO FORO D.17	DRIP TRAY HOLE D. 17	ABLAUFSCHALE ÖFFNUNG D.17	CUVE VIDAGE TROU D.17	CUBA DE VACIADO ORIFICIO D.17
31	10852466	TUBO SCARICO	DRAIN HOSE	ABLAUFROHR	TUBE VIDAGE	TUBO DE VACIADO

SEGUE / CONTINUE ---->

# TORINO



POS.	COD.	DESCRIZIONE	DESCRIPTION	BESCHREIBUNG	DESCRIPTION	DESCRIPCIÓN
32	10806099A	FASCETTA STRINGITUBO	HOSE CLIP	SCHLAUCHSCHELLE	COLLIER SERRE-TUBE	BANDA SUJETA-TUBO
33A	10016812	VASCA SUPERIORE TO 3GR	TOP TANK TO 3GR	SCHALE OBEN TO 3GR	CUVE SUPÉRIEURE TO 3GR	CUBA SUPERIOR TO 3GR
33B	10015812C	VASCA SUPERIORE TO 2GR	TOP TANK TO 2GR	SCHALE OBEN TO 2GR	CUVE SUPÉRIEURE TO 2GR	CUBA SUPERIOR TO 2GR
34a	10016010	FIANCO SX-SUP/DX-INF TO COLORE BIANCO	SIDE PANEL LH-TOP/RH-BOTT. TO WHITE	SEITENTEIL LINKS OBEN/RECHTS UNTEN TO FARBE WEISS	FLANC G-SUP/D-INF TO COULEUR BLANC	LATERAL IZD.-SUP/DCH.-INF TO COLOR BLANCO
34b	10016030	FIANCO SX-SUP/DX-INF TO COLORE NERO	SIDE PANEL LH-TOP/RH-BOTT. TO BLACK	SEITENTEIL LINKS OBEN/RECHTS UNTEN TO FARBE SCHWARZ	FLANC G-SUP/D-INF TO COULEUR NOIR	LATERAL IZD.-SUP/DCH.-INF TO COLOR NEGRO
34c	10016050	FIANCO SX-SUP/DX-INF TO COLORE ROSSO	SIDE PANEL LH-TOP/RH-BOTT. TO RED	SEITENTEIL LINKS OBEN/RECHTS UNTEN TO FARBE ROT	FLANC G-SUP/D-INF TO COULEUR ROUGE	LATERAL IZD.-SUP/DCH.-INF TO COLOR ROJO
35	10015950	GHIERA MANOPOLA RUB. CROMATO TO	TAP KNOB RING CHROMED TO	STELLRING DREHREGLER HAHN VERCHROMT TO	BAGUE BOUTON ROB. CHROMÉ TO	TUERCA MANDO GRIF. CROMADO TO
36	10015842A	COPRIELETTRIVALVOLA TO	SOLENOID VALVE COVER TO	MAGNETVENTILABDECKUNG TO	CACHE ÉLECTROVANNE TO	CUBRE-ELECTROVÁLVULA TO
37	10805084	VITE TC+ M4X10 ZN	SCREW TC+ M4X10 ZN	ZYLINDERKOPFSCHRAUBE+M4x18 VERZINKT	VIS TC+ M4X10 ZN	TORNILLO TC+ M4x10 ZN
38	10852470C	TUBO TRAZ. 1/4 TD8-TD8 L.450	DRIVE HOSE 1/4 TD8-TD8 L.450	ZUGROHR 1/4 TD8-TD8 L.450	TUBE TRACT.1/4 TD8-TD8 L.450	TUBO TRAC.1/4 TD8-TD8 L.450
39	10105030	PASSACAVO IN GOMMA	CABLE GLAND IN RUBBER	KABELDURCHFÜHRUNG AUS GUMMI	PASSE-FIL EN CAOUTCHOUC	PASACABLE DE GOMA
40A	10016100	TRAVERSO POST. SUP./INF. TO 2GR BIANCO	BACK CROSSPIECE TOP/BOTT. TO 2GR WHITE	HINTERE QUERSTREBE OBEN/UNTEN TO 2GR WEISS	TRAVERSE POST. SUP./INF. TO 2GR BLANC	TRAVESAÑO TRAS. SUP./INF. TO 2GR BLANCO
40B	10016110	TRAVERSO POST. SUP./INF. TO 2GR NERO	BACK CROSSPIECE TOP/BOTT. TO 2GR BLACK	HINTERE QUERSTREBE OBEN/UNTEN TO 2GR SCHWARZ	TRAVERSE POST. SUP./INF. TO 2GR NOIR	TRAVESAÑO TRAS. SUP./INF. TO 2GR NEGRO
40C	10016120	TRAVERSO POST. SUP./INF. TO 2GR ROSSO	BACK CROSSPIECE TOP/BOTT. TO 2GR RED	HINTERE QUERSTREBE OBEN/UNTEN TO 2GR ROT	TRAVERSE POST. SUP./INF. TO 2GR ROUGE	TRAVESAÑO TRAS. SUP./INF. TO 2GR ROJO
40D	10017100	TRAVERSO POST. SUP./INF. TO 3GR BIANCO	BACK CROSSPIECE TOP/BOTT. TO 3GR WHITE	HINTERE QUERSTREBE OBEN/UNTEN TO 3GR WEISS	TRAVERSE POST. SUP./INF. TO 3GR BLANC	TRAVESAÑO TRAS. SUP./INF. TO 3GR BLANCO
40E	10017110	TRAVERSO POST. SUP./INF. TO 3GR NERO	BACK CROSSPIECE TOP/BOTT. TO 3GR BLACK	HINTERE QUERSTREBE OBEN/UNTEN TO 3GR SCHWARZ	TRAVERSE POST. SUP./INF. TO 3GR NOIR	TRAVESAÑO TRAS. SUP./INF. TO 3GR BLANCO
40F	10017120	TRAVERSO POST. SUP./INF. TO 3GR ROSSO	BACK CROSSPIECE TOP/BOTT. TO 3GR RED	HINTERE QUERSTREBE OBEN/UNTEN TO 3GR ROT	TRAVERSE POST. SUP./INF. TO 3GR ROUGE	TRAVESAÑO TRAS. SUP./INF. TO 3GR ROJO
41A	10015852	PANNELLO POSTERIORE TO 2GR VER.BIANCO	BACK PANEL TO 2GR VER.WHITE	HINTERE VERKLEIDUNG TO 2GR WEISS LACKIERT	PANNEAU ARRIÈRE TO 2GR PEINT. BLANC	PANEL TRASERO TO 2GR VER. BLANCO
41B	10015884	PANNELLO POSTERIORE TO 2GR VER.BIANCO RAL1013	BACK PANEL TO 2GR VER.WHITE RAL1013	HINTERE VERKLEIDUNG TO 2GR WEISS LACKIERT RAL1013	PANNEAU ARRIÈRE TO 2GR PEINT. BLANC RAL1013	PANEL TRASERO TO 2GR VER. BLANCO RAL1013

SEGUE / CONTINUE ---->

# TORINO



POS.	COD.	DESCRIZIONE	DESCRIPTION	BESCHREIBUNG	DESCRIPTION	DESCRIPCIÓN
41C	10015888	PANNELLO POSTERIORE TO 2GR VER.NERO	BACK PANEL TO 2GR VER.BLACK	HINTERE VERKLEIDUNG TO 2GR SCHWARZ	PANNEAU ARRIÈRE TO 2GR NOIR	PANEL TRASERO TO 2GR VER. NEGRO
41D	10016832	PANNELLO POSTERIORE TO 3GR VER.BIANCO	BACK PANEL TO 3GR VER.WHITE	HINTERE VERKLEIDUNG TO 3GR WEISS LACKIERT	PANNEAU ARRIÈRE TO 3GR PEINT. BLANC	PANEL TRASERO TO 3GR VER. BLANCO
42	10802500	DADO M8 MEDIO ZN	NUT M8 MEDIUM ZN	MITTLERE MUTTER M8 VERZINKT	ÉCROU M8 MOYEN ZN	TUERCA M8 MEDIA ZN
43	10803521	RONDELLA D8,2 DENT. INT. ZN	TOOTHED WASHER D8.2 INT. ZN	GEZAHNTE UNTERLEGSCHIEBE D8,2 INNEN VERZINKT	RONDELLE D8,2 DENTÉE INT ZN	ARANDELA D8,2 DENT. INT. ZN
44A	10015816	FERMATAZZE SUPERIORE TO 2GR NERO	TOP CUP RETAINER TO 2GR BLACK	TASSENWÄRMER OBEN TO 2GR SCHWARZ	APPUI TASSES SUPÉRIEUR TO 2GR NOIR	SUJETATAZAS SUPERIOR TO 2GR NEGRO
44B	10016816	FERMATAZZE SUPERIORE TO 3GR NERO	TOP CUP RETAINER TO 3GR BLACK	TASSENWÄRMER OBEN TO 3GR SCHWARZ	APPUI TASSES SUPÉRIEUR TO 3GR NOIR	SUJETATAZAS SUPERIOR TO 3GR NEGRO
45	10111015	TERMOSTATO 169° A RIARMO MANUALE	THERMOSTAT 169° WITH MAN. RESET	THERMOSTAT 169° MIT MANUELLER RÜCKSETZUNG	THERMOSTAT 169° À RÉARME-MENT MANUEL	TERMOSTATO 169° DE REARME MANUAL
46	10602010B	PRESSOSTATO	PRESSURE SWITCH	PRESSOSTAT	PRESSOSTAT	PRESOSTATO
47	10805562	RONDELLA D4x16x1.5 PIANA ZN	WASHER D4x16x1.5 FLAT ZN	UNTERLEGSCHIEBE D4x16x1.5 FLACH VERZINKT	RONDELLE D4x16x1.5 PLATE ZN	ARANDELA D4x16x1.5 PLANA ZN
49	10505558	GUARNIZIONE RUBINETTO SILICONE	SILICONE TAP GASKET	SILIKONDICHTUNG HAHN	JOINT ROBINET SILICONE	JUNTA GRIFO SILICONA
50	10402061A	ASTA CENTRALE RUBINETTO	CENTRAL TAP SHAFT	MITTLERE HAHNSTANGE	TIGE CENTRALE ROBINET	VARILLA CENTRAL GRIFO
51	10402014	MOLLA ASTA RUBINETTO	TAP SHAFT SPRING	FEDER HAHNSTANGE	RESSORT TIGE ROBINET	MUELLE VARILLA GRIFO
52	10402015A	BUSSOLA ASTA RUBINETTO	TAP SHAFT BUSH	BUCHSE HAHNSTANGE	DOUILLE TIGE ROBINET	CASQUILLO VARILLA GRIFO
53	10505121A	OR 5,7X1,9 ASTA	ROD OR 5.7X1.9	O-RING 5,7X1,9 STANGE	OR 5,7X1,9 TIGE	OR 5,7X1,9 VARILLA
54	10505561	BUSSOLA RAME	BUSH COPPER	KUPFERBUCHSE	DOUILLE CUIVRE	CASQUILLO COBRE
55	10402120C	CORPO RUBINETTO COMPL.	TAP BODY COMPL.	HAHNKÖRPER KOMPLETT	CORPS ROBINET COMPL.	CUERPO GRIFO COMPL.
57	14852925A	PROLUNGA ESAG.VAPORIZZ.	EXTENSION HEXAG. STEAM NOZ-ZLE	SECHSKANTVERLÄNGERUNG AUFSCÄUMER	RALLONGE HEXAGONALE VAPO-RISATEUR	EXTENSIÓN HEX.VAPORIZ.
58	10402056A	OR 2062 VITON NERO	OR 2062 VITON BLACK	O-RING 2062 VITON SCHWARZ	OR 2062 VITON NOIR	OR 2062 VITON NEGRO
59	10402043	MOLLA SNODO RUBINETTO	TAP SWIVEL JOINT SPRING	GELENKFEDER HAHN	RESSORT ROTULE ROBINET	MUELLE ARTICULACIÓN GRIFO
60	10402054A	SCODELLINO SNODO RUBINETTO	TAP SWIVEL JOINT CAP	GELENKTELLER HAHN	CUVETTE ROTULE ROBINET	TAPA ARTICULACIÓN GRIFO
61	10401984	RUBINETTO H2O COMPLETO TO 230V	WATER TAP COMPL. TO 230V	WASSERHAHN KOMPLETT TO 230V	ROBINET H2O COMPLET TO 230 V	GRIFO H2O COMPLETO TO 230V

SEGUE / CONTINUE ---->

# TORINO



POS.	COD.	DESCRIZIONE	DESCRIPTION	BESCHREIBUNG	DESCRIPTION	DESCRIPCIÓN
62	10092164A	MANOPOLA VAPORE ROMA	STEAM KNOB ROMA	DAMPFREGLER ROMA	BOUTON VAPEUR ROMA	MANDO VAPOR ROMA
66	14402160	DOCCIA EROGAZIONE ACQUA	BOILER OUTLET	WASSERABGABEDUSCHE	DOUCHETTE SORTIE EAU	ROCIADOR SALIDA AGUA
68	10859032	RIDUZIONE 1/8"M 3/8"M CROMATO A/C MI	REDUCER UNION 1/8"M 3/8"M CHROMED A/C MI	REDUZIERSTÜCK 1/8"M 3/8"M VERCHROMT A/C MI	RÉDUCTION 1/8"M 3/8"M CHROMÉE A/C MI	REDUCCIÓN 1/8"M 3/8"M CROMADO A/C MI
69	10857210A	2020 1/8 RACCORDO L F.M.	L-UNION 2020 1/8 F/M	2020 1/8 WINKELVERSCHRAUBUNG F.M.	2020 1/8 RACCORD L F.M.	2020 1/8 RACOR L H.M.
70	10806372	COPPIGLIA RUBINETTO	TAP SPLIT PIN	SICHERUNGSTIFT HAHN	GOUPILLE ROBINET	CLAVIJA GRIFO
71	10806312	RONDELLA D21 DENT. INT. ZN	TOOTHED WASHER D21 INT. ZN	GEZAHNTE UNTERLEGSCHIEBE D21 INNEN VERZINKT	RONDELLE D21 DENTÉE INT ZN	ARANDELA D21 DENT. INT. ZN
73	10505094	OR 2021 104 5,28X1,78	OR 2021 104 5,28X1,78	OR 2021 104 5,28X1,78	OR 2021 104 5,28X1,78	OR 2021 104 5,28X1,78
75	10302506A	RACC.OTT.SCAR.ELET.3V GR E61 VR-RM	UNION COPP. SOL.VALVE DRAIN 3V GR E61 VR-RM	MESSINGVERSCHRAUBUNG ELEKTRISCHER ABLAUF 3V GR UND61 VR-RM	RACC. LAITON VIDAGE ÉLEC.3V GR E61 VR-RM	RAC.LAT.VAC.ELECT.3V GR E61 VR-RM
80	10402028	MEZZO DADO 1/2" RIALZATO CROMATO	HALF NUT 1/2" CHROMED RAISED	HALBMUTTER 1/2" ERHÖHT VERCHROMT	DEMI ÉCROU 1/2" REHAUSSÉ CHROMÉ	MEDIA TUERCA 1/2" ELEVADA CROMADA
81	10402040	RONDELLA OTT. RUBINETTO	TAP WASHER BRASS	UNTERLEGSCHIEBE MESSING HAHN	RONDELLE LAITON ROBINET	ARANDELA LAT. GRIFO
82	10092162B	TAPPO MANOPOLA VAP.ROMA +/- NERA	STEAM NOZZLE KNOB CAP ROMA +/- BLACK	VERSCHLUSS DAMPFREGLER ROMA +/- SCHWARZ	BOUCHON BOUTON VAP . ROMA +/- NOIR	TAPÓN MANDO VAP.ROMA +/- NEGRO
83	10303108	ELETTROVALVOLA 2VIE 1/8"230V	SOLENOID VALVE 2-WAY 1/8"230V	2-WEGE-MAGNETVENTIL 1/8" 230V	ÉLECTROVANNE 2 VOIES 1/8" 230 V	ELECTROVÁLVULA 2VÍAS 1/8" 230V
84	10857050B	1050 8-1/8"M RACCORDO	UNION 1050 8-1/8"M	1050 8-1/8"M VERSCHRAUBUNG	1050 8-1/8"M RACCORD	1050 8-1/8"M RACOR
85	10105024	VITE TC+ 3,5x25 ZN PRESSACAVO PA268	SCREW TC+ 3.5X25 ZN CABLE GLAND PA268	ZYLINDERKOPFSCHRAUBE+ 3,5X25 VERZINKT KABELPRESSE PA268	VIS TC+ 3,5X25 ZN PRESSE-ÉTOUPE PA268	TORNILLO TC+ 3,5X25 ZN PRENSACABLE PA268
86	10105022	PRESSACAVO PA268	CABLE GLAND PA268	KABELPRESSE PA268	PRESSE-ÉTOUPE PA268	PRENSACABLE PA268
87	10857080A	1050 6-1/8"M RACCORDO DRITTO	STRAIGHT-UNION 1050 6-1/8"M	1050 6-1/8"M GERADE VERSCHRAUBUNG	1050 6-1/8"M RACCORD DROIT	1050 6-1/8"M RACOR RECTO
88	10402082	OR SNODO LANCIA D10	ORING JOINT LANCIA D10	ODER GEMEINSAM STARTET D10	OR LANCEMENTS CONJOINTS D10	JUNTA ORING LANCIA D10
89	14402052A	DADO LANCIA VAPORE MLX	STEAM LANCE NUT MLX	MUTTER DAMPFLANZE MLX	ÉCROU LANCE VAPEUR MLX	TUERCA LANZA VAPOR MLX
90	10402288	SNODO A SFERA INOX LANCIA VAP.MLX	STEAM LANCE BALL JOINT MLX INOX	KUGELGELENK EDELSTAHL DAMPFLANZE MLX	ROTULE À BILLE INOX BUSE VAP. MLX	ARTICULACIÓN DE BOLA LANZA VAP. MLX
91	10402081	OR TUBO LANCIA MLX	LANCE TUBE OR MLX	O-RING LANZENROHR MLX	OR TUBE BUSE MLX	OR TUBO LANZA MLX
92	10056152	ASS. MASSELLO CAR. 230V TO EV.32X32	FILLING BLOCK ASSY. 230V TO EV.32X32	BAUGRUPPE FÜLLBLOCK 230V TO MAGNETVENTIL 32X32	ENSEMBLE REMPLISSAGE 230 V TO EV.32X32	CONJ. LLENADO 230V TO EV.32X32

SEGUE / CONTINUE ---->

# TORINO



POS.	COD.	DESCRIZIONE	DESCRIPTION	BESCHREIBUNG	DESCRIPTION	DESCRIPCIÓN
93	10857658B	2613 1/8"F TAPPO RACCORDO	UNION CAP 2613 1/8"F	2613 1/8"F VERSCHLUSS VER-SCHRAUBUNG	2613 1/8"F BOUCHON RACCORD	2613 101/8"H TAPÓN RACOR
94	10302130A	ELETTROVALVOLA 2VIE BAS 32X32 230V	SOLENOID VALVE 2-WAY BAS 32X32 230V	2-WEGE-MAGNETVENTIL SOCKEL 32X32 230V	ÉLECTROVANNE 2 VOIES VIE BAS 32X32 230V	ELECTROVÁLVULA 2VÍAS BAS 32X32 230V
95	10056058F	CORPO MASSELLO CARICO VERONA	FILLING BLOCK BODY VERONA	GEHÄUSE FÜLLBLOCK VERONA	CORPS REMPLISSAGE VERONA	CUERPO LLENADO VERONA
97	10052130B	GRUPPO EROGAZIONE SAN REMO E61	SPOUT GROUP SAN REMO E61	AUSGABEGRUPPE SAN REMO E61	GROUPE SORTIE SAN REMO E61	GRUPO SALIDA SAN REMO E61
98	10052137A	TAPPO CHIUSURA GIGLEUR GR.E61	CLOSURE CAP GIGLEUR GR. E61	VERSCHLUSSKAPPE GIGLEUR GR.E61	BOUCHON FERMETURE GICLEUR GR.E61	TAPÓN CIERRE BOQUILLA GR.E61
99	10502105A	GUARNIZIONE FUNGO SUP. GR.E61	TOP MUSHROOM GASKET GR.E61	PILZDICHTUNG OBEN GR.E61	JOINT CHAMPIGNON SUP.GR.E61	JUNTA TIPO SETA SUP.GR.E61
100	10052136	FILTRO GRUPPO E-61/ANELLO	FILTER GROUP E-61/RING	SIEB GRUPPE E-61/RING	FILTRE GROUPE E61/ANNEAU	FILTRO GRUPO E-61/ANILLO
101	10052135A	GIGLEUR GRUPPI FORO D.0,8	GIGLEUR GROUPS HOLE D.0.8	GIGLEUR GRUPPEN ÖFFNUNG D.0,8	GICLEUR GROUPES TROU D.0,8	BOQUILLA GRUPOS ORIFICIO D. 0,8
102	10052133A	FUNGO SUPERIORE GRUPPO E-61	TOP MUSHROOM GR. E-61	PILZ OBEN GRUPPE E-61	CHAMPIGNON SUPÉRIEUR GROUPE E-61	SETA SUPERIOR GRUPO E-61
103	10502090A	GUARNIZIONE LAT.FUNGO GR.E61	SIDE MUSHROOM GASKET GR.E61	PILZDICHTUNG SEITLICH GR.E61	JOINT LAT. CHAMPIGNON GR.E61	JUNTA LAT. SETA GR.E61
104	10502100	GUARNIZIONE FUNGO GRUPPO IN.E61	MUSHROOM GASKET GROUP IN.E61	PILZDICHTUNG GRUPPE UNTEN E61	JOINT CHAMPIGNON GROUPE IN.E61	JUNTA TIPO SETA GRUPO IN.E61
105	10853085	DADO ESAGONALE 1/8"	HEXAGONAL NUT 1/8"	SECHSKANTMUTTER 1/8"	ÉCROU HEXAGONAL 1/8"	TUERCA HEXAGONAL 1/8"
106	10052132A	FUNGO LATERALE GRUPPO E-61	SIDE MUSHROOM GROUP E61	PILZ SEITLICH GRUPPE E-61	CHAMPIGNON LATÉRAL GROUPE E-61	SETA LATERAL GRUPO E-61
107	10052134	PRIGIONIERI GRUPPO E 61	SCREW STUDS GROUP 61	STIFTSCHRAUBE GRUPPE E 61	GOIJONS GROUPE E 61	ESPÁRRAGOS GRUPO E 61
108	KPOZO-VR1TZ6A	ASS.PORTAFILTRO 1 TAZZA VR	FILTER HOLDER ASSY. 1 CUP VR	BAUGRUPPE SIEBHALTER 1 TASSE VR	ENS. PORTE FILTRE 1 TASSE VR	CONJ.PORTAFILTRO 1 TAZA VR.
109a	10302088B	ELETTROVALVOLA 3VIE BAS.32X32 230V	SOLENOID VALVE 3-WAY BAS.32X32 230V	3-WEGE-MAGNETVENTIL SOCKEL 32X32 230V	ÉLECTROVANNE 3 VOIES BAS.32X32 230V	ELECTROVÁLVULA 3VÍAS BAS.32X32 230V
109b	10302096	ELETTROVALVOLA 3VIE BAS.32X32 120V	SOLENOID VALVE 3-WAY BAS.32X32 120V	3-WEGE-MAGNETVENTIL SOCKEL 32X32 120V	ÉLECTROVANNE 3 VOIES BAS.32X32 120 V	ELECTROVÁLVULA 3VÍAS BAS.32X32 120V
110	10052120	DOCCIA A RETE GRUPPO E61	MESH BOILER OUTLET GROUP E61	NETZFÖRMIGE DUSCHE GRUPPE E61	DOUCHETTE À GRILLE GROUPE E61	ROCIADOR CON RED GRUPO E 61

SEGUE / CONTINUE ---->

# TORINO



POS.	COD.	DESCRIZIONE	DESCRIPTION	BESCHREIBUNG	DESCRIPTION	DESCRIPCIÓN
111	10502160	GUARN. SOTTOC. H8,5mm GRUPPO E61	UNDERCUP GASKET H8.5mm GROUP E61	SIEBTRÄGERDICHTUNG H8,5mm GRUPPE E61	JOINT DESSOUS DE COUPE H8,5 mm GROUPE E61	JUNTA BAJO COPA H8,5mm GRU- PO E61
112	10805071	VITE TCEI M4X10 A2	SCREW TCEI M4X10 A2	INBUSSCHRAUBE M4X10 A2	VIS TCEI M4X 10 A2	TORNILLO TCEI M4X10 A2
113	KPOZO- VR2TZ12A	ASS.PORTAFILTRO 2 TAZZA VR	FILTER HOLDER ASSY. 2 CUP VR	BAUGRUPPE SIEBHALTER 2 TASSE VR	ENS. PORTE FILTRE 2 TASSE VR	CONJ.PORTAFILTRO 2 TAZAS VR.
115	10052074A	FILTRO 2 TAZZE	FILTER 2 CUP	SIEB 2 TASSEN	FILTRE 2 TASSES	FILTRO 2 TAZAS
116	10080760A	MANICO PORTAF.MOD.VR-RM NERO	FILTER HOLDER HANDLE VR-RM BLACK	GRIFF SIEBHALTER MOD.VR-RM SCHWARZ	MANCHE PORTE FILTRE MOD. VR-RM NOIR	MANGO PORTAF.MOD.VR-RM NEGRO
117	14052085A	BECCUCCIO 2 VIE TUTTO APERTO	2-WAY SPOUT FULLY OPEN	2-WEGE-AUSLAUF GANZ OFFEN	BEC 2 VOIES TOUT OUVERT	BOQUILLA 2 VÍAS TOTALMENTE ABIERTA
118	14052075A	BECCUCCIO 1 VIA TUTTO APERTO	1-WAY SPOUT FULLY OPEN	1-WEG-AUSLAUF GANZ OFFEN	BEC 1 VOIE TOUT OUVERT	BOQUILLA 1 VÍA TOTALMENTE ABIERTA
119A	10054010A	CORPO PORTAFILTRO INCLI- NATO C/ANELLO 1TZ	FILTER HOLDER BODY ANGLED W/ RING 1TZ	GEHÄUSE SIEBHALTER SCHRÄG MIT RING 1TZ	CORPS PORTE FILTRE INCLINÉ AVEC BAGUE 1TZ	CUERPO PORTAFILTRO INCLINA- DO C.ANILLO 1TZ
119B	10054020A	CORPO PORTAFILTRO INCLI- NATO C/ANELLO 2TZ	FILTER HOLDER BODY ANGLED W/ RING 2TZ	GEHÄUSE SIEBHALTER SCHRÄG MIT RING 2TZ	CORPS PORTE FILTRE INCLINÉ AVEC BAGUE 2TZ	CUERPO PORTAFILTRO INCLINA- DO C.ANILLO 2TZ
120	10052050	MOLLA FERMA FILTRO 1,3	FILTER RETAINER SPRING 1.3	SIEBHALTERFEDER 1,3	RESSORT ARRÊT FILTRE 1,3	MUELLE SUJETA FILTRO 1,3
121a	10052072	FILTRO 1 TAZZA DA 6GR	FILTER 1 CUP 6GR	SIEB 1 TASSE MIT 6GR	FILTRE 1 TASSE DE 6GR	FILTRO 1 TAZA DE 6GR
121b	10052101	FILTRO 1 TAZZA DA 6GR	FILTER 1 CUP 6GR	SIEB 1 TASSE MIT 6GR	FILTRE 1 TASSE DE 6GR	FILTRO 1 TAZA DE 6GR
122	10052214B	ASS.GRUPPO E61 230V S/ RACC.	GROUP E61 ASSY. 230V W.OUT/ UNION	BAUGRUPPE GRUPPE E61 230V OHNE VERSCHRAUBUNG	ENSEMBLE GROUPE E61 230 V SANS RACCORD	CONJ.GRUPO E61 230V S.RAC.
123	10052141A	DIFFUSORE GRUPPO E61	DIFFUSER GR. E61	VERTEILER GRUPPE E61	DIFFUSEUR GROUPE E61	DIFUSOR GRUPO E61
125	10805585	DADO NI ES.22	NUT NI HEX.22	MUTTER NI SW22	ÉCROU NI EX.22	TUERCA NI HEX.22
128	10502130	GUARNIZIONE BLOCC. GRUP- PO E61	GASKET GR.E61 BLOCK	DICHTUNG BLOCK GRUPPE E61	JOINT BLOCAGE GROUPE E61	JUNTA BLOQ. GRUPO E61
136	10857530A	1020 10-3/8" M RACC.GOMITO	1020 10-3/8" M ELBOW 1020	10-3/8" AG WINKELSTÜCK 1020	10-3/8" M RACC.COUDE 1020	10-3/8" M CODO DE UNION
137	10802780	RONDELLA ALLUMINIO 18X22X1,5	ALUMINUM WASHER 18X22X1,5	ALUMINIUM-SCHEIBE 18X22X1,5	RONDELLE EN ALUMINIUM 18X22X1,5	ARANDELA DE ALUMINIO 18X22X1,5
138	10002968	TUBO PONTE 1-2° VOL 3GR	JUMPER TUBE VOL. 1-2 3GR	ÜBERBRÜCKUNGSROHR 1-2. VOL.3GR	TUBE PONTET 1-2e VOL. 3GR	TUBO PUENTE 1-2° VOL.3GR
140	10805074	VITE TE M4X8 8,8 ZN	SCREW TE M4X8 8.8 ZN	SECHSKANTSCHRAUBE M4X8 8,8 VERZINKT	VIS TE M4X8 8,8 ZN	TORNILLO TE+ M4x8 8,8 ZN

SEGUE / CONTINUE ---->



POS.	COD.	DESCRIZIONE	DESCRIPTION	BESCHREIBUNG	DESCRIPTION	DESCRIPCIÓN
141	10803519	RONDELLA D4,2 DENT.ZN	TOOTHED WASHER D4.2 ZN	GEZAHNTE UNTERLEGSCHIEBE D4,2 VERZINKT	RONDELLE D4,2 DENT.ZN	ARANDELA D4,2 DENT.ZN
142	10112290A	CONTATORE VOLUMETRICO 1/8" ROHS COMP.	VOLUMETRIC METER 1/8" ROHS COMP.	VOLUMENZÄHLER 1/8" ROHS-KONFORM	COMPTEUR VOLUMÉTRIQUE 1/8" ROHS COMP.	CONTADOR VOLUMÉTRICO 1/8" ROHS COMP.
143	10052220A	FILTRO CIECO	BLIND FILTER	BLINDSIEB	FILTRE BORGNE	FILTRO CIEGO
144	10853442A	RACCORDO PROL.VOL.	VOLUMETRIC EXTENSION CONNECTION	VOLUMETRISCHER VERLÄNGERUNGSANSCHLUSS	CONNEXION D'EXTENSION VOLUMÉTRIQUE	CONEXIÓN DE EXTENSIÓN VOLUMÉTRICA
145	10857028A	1010 6-6-1/8"S.C. RACC.T MASCH.	T-UNION 1010 6-6-1/8"S.C. MALE	1010 6-6-1/8"S.C. T-VERSCHRAUBUNG AUSSENGEWINDE	1010 6-6-1/8"S.C. RACC.T MÂLE	1010 6-6-1/8"V.C. RAC.T MACHO
147	10857030A	1020 6-1/8"S.C.RACC.GOMITO MASC.	ELBOW UNION 1020 6-1/8"S.C. MALE	1020 6-1/8"S.C.WINKELVERSCHRAUBUNG AUSSENGEWINDE	1020 6-1/8" RACCORD COUDÉ MÂLE	1020 6-1/8"V.C.RAC.CODO MACHO
148	10805872	VITE TC+ M4X6 ZN UNI 7687	SCREW TC+ M4X6 ZN UNI 7687	ZYLINDERKOPFSCHRAUBE+M4X6 VERZINKT UNI 7687	VIS TC+ M4X6 ZN UNI 7687	TORNILLO TC+ M4x6 ZN UNI 7687
149	10806286	ANELLO SEEGER A52X2	O-RING A52X2 A2	SEEGERRING A52X2 A2	BAGUE SEEGER A52x2 A2	ANILLO SEEGER A52X2 A2
150a	10455186	RESISTENZA 2700W 230V RAME	RESISTOR 2700W 230V COPPER	HEIZELEMENT 2700W 230V KUPFER	RÉSISTANCE 2700 W 230V CUIVRE	RESISTENCIA 2700W 230V COBRE
150b	10455192	RESISTENZA 4500W 230V RAME	RESISTOR 4500W 230V COPPER	HEIZELEMENT 4500W 230V KUPFER	RÉSISTANCE 4500 W 230 V CUIVRE	RESISTENCIA 4500W 230V COBRE
150c	10455194A	RESISTENZA 5100W 230V RAME	RESISTOR 5100W 230V COPPER	HEIZELEMENT 5100W 230V KUPFER	RÉSISTANCE 5100 W 230 V CUIVRE	RESISTENCIA 5100W 230V COBRE
151A	10252095A	MOTORE ELETTRICO 150W 230V C/CONN. 3GR CB	ELECTRIC MOTOR 150W 230V W/CONNECT. 3GR CB	ELEKTROMOTOR 150W 230V MIT STECKVERBINDER 3GR CB	MOTEUR ÉLECTRIQUE 150 W 230V AVEC CONN. 3GR CB	MOTOR ELÉCTRICO 150W 230V C.CONECT. 3GR CB
151B	10252098B	MOTORE ELETTRICO 130W 230V C/CONN. 2GR CB	ELECTRIC MOTOR 130W 230V W/CONNECT. 2GR CB	ELEKTROMOTOR 130W 230V MIT STECKVERBINDER 2GR CB	MOTEUR ÉLECTRIQUE 130 W 230V AVEC CONN. 2GR CB	MOTOR ELÉCTRICO 130W 230V C.CONECT. 2GR CB
152a	10252070D	POMPA ROTATIVA PA1504 150L/H	ROTARY PUMP PA1504 150L/H	ROTATIONSPUMPE PA1504 150L/H	POMPE ROTATIVE PA1504 150L/H	BOMBA ROTATIVA PA1504 150L/H
152b	10252072D	POMPA ROTATIVA MOD.PA204	ROTARY PUMP PA204	ROTATIONSPUMPE MOD.PA204	POMPE ROTATIVE MOD. PA204	BOMBA ROTATIVA MOD.PA204
153	10852470C	TUBO TRAZ.1/4 TD8-TD8 L.450	DRIVE HOSE 1/4 TD8-TD8 L.450	ZUGROHR 1/4 TD8-TD8 L.450	TUBE TRACT.1/4 TD8-TD8 L.450	TUBO TRAC.1/4 TD8-TD8 L.450
154	10852484C	TUBO TRAZ.3/8 FD-FD L=2000	DRIVE HOSE 3/8 FD-FD L=2000	ZUGROHR 3/8 FD-FD L=2000	TUBE TRACT. 3/8 FD-FD L=2000	TUBO TRAC.3/8 FD-FD L=2000
155	10857280A	1020 8-3/8"M RACC.GOMITO MAS.	ELBOW UNION 1020 8-3/8"M	1020 8-3/8"M WINKELVERSCHRAUBUNG AUSSENGEWINDE	1020 8-3/8"M RACCORD COUDÉ MÂLE	1020 8-3/8"M RAC.CODO MACHO
156	10252016A	FILTRO COND. 701Y2	FILTER 701Y2	FILTER DEM 701Y2	FILTRE DEM 701Y2	FILTRO DEM

SEGUE / CONTINUE ---->



POS.	COD.	DESCRIZIONE	DESCRIPTION	BESCHREIBUNG	DESCRIPTION	DESCRIPCIÓN
157a	10252038A	CONDENSATORE 6MF 450VL MOT.P.150W	CONDENSER 6MF 450VL P.MOT. 150W	KONDENSATOR 6MF 450VL MOTOR- LEISTUNG 150W	CONDENSATEUR 6MF 450VL MOT.P.150 W	CONDENSADOR 6MF 450VL MOT.P.150W
157b	10252040	CONDENSATORE 10 MF 450VL MOT.P.165W	CONDENSER 10 MF 450VL MOT.P.165W	KONDENSATOR 10 MF 450VL MOTOR- LEISTUNG 165W	CONDENSATEUR 10 MF 450VL MOT.P.165 W	CONDENSADOR 10 MF 450VL MOTOR 165W
158	10002030A	TUBO CAPILLARE PRESS. CALDAIA PI	BOILER PRESS. SW. CAPILLARY TUBE PI	HEIZKESSELDRUCK PI	TUBE CAPILLAIRE PRESSOST. CHAUDIÈRE PI	TUBO CAPILAR PRES. CALDERA PI
159	10002024A	TUBO CAPILLARE PRESS. POMPA	PUMP PRESS. SW. CAPILLARY TUBE	KAPILLARROHR PUMPENDRUCK	TUBE CAPILLAIRE PRESSOSTAT POMPE	TUBO CAPILAR PRES. BOMBA
160	10552046C	TERMOMETRO CIRCOLARE CON SONDA	CIRCULAR THERMOMETER WITH PROBE	RUNDTHERMOMETER MIT FÜHLER	THERMOMÈTRE CIRCULAIRE AVEC SONDE	TERMÓMETRO CIRCULAR CON SONDA
161	10552042C	MANOMETRO PRESSIONE POMPA 0-16	PUMP PRESSURE GAUGE 0-16	MANOMETER PUMPENDRUCK 0-16	MANOMÈTRE PRESSION POMPE 0-16	MANÓMETRO PRESIÓN BOMBA 0-16
162	10455102A	PROTEZ.COLL.ELETT.RES.	RESISTOR PROTECTION	SCHUTZ HEIZELEMENT	PROTECTION RÉSISTANCE	PROTECCIÓN RESISTENCIA
163	10552040C	MANOMETRO PRESSIONE CALDAIA 0-2,5	BOILER PRESSURE GAUGE 0-2.5	MANOMETER HEIZKESSELDRUCK 0-2,5	MANOMÈTRE PRESSION CHAU- DIÈRE 0-2,5	MANÓMETRO PRESIÓN CALDERA 0-2,5
164a	10102190	CAVO ALIMENTAZIONE 3X2,5 MT3 N5 MONOFASE	POWER CABLE 3X2.5 MT3 N5 SIN- GLE PHASE	SPEISEKABEL 3X2,5 3m N5 EINPHA- SIG	CÂBLE ALIMENTATION 3X2,5 MT3 N5 MONOPHASÉ	CABLE ALIMENTACIÓN 3X2,5 MT3 N5 MONOFÁSICA
164b	10102191A	CAVO ALIMENTAZIONE 5X2,5 MT3 N4 TRIFASE	POWER CABLE 5X2.5 MT3 N4 TH- REE PHASE	SPEISEKABEL 5X2,5 3m N4 DREIPHA- SIG	CÂBLE ALIMENTATION 5X2,5 MT3 N4 TRIPHASÉ	CABLE ALIMENTACIÓN 5X2,5 MT3 N4 TRIFÁSICA
164c	10102193A	CAVO ALIMENTAZIONE 3X4 MT3 N7	POWER CABLE 3X4 MT3 N7	SPEISEKABEL 3X4 3m N7	CÂBLE ALIMENTATION 3X4 MT3 N7	CABLE DE ALIMENTACIÓN 3X4 MT3 N7
164e	10102197	CAVO 3x14AWG SJOOW	CABLE 3x14AWG SJOOW 3MT	KABEL 3x14AWG SJOOW	CÂBLE 3x14AWG SJOOW	CABLE 3x14AWG SJOOW
165	10105180A	BLOCCHETTO 2 VIE M.	2-WAY BLOCK M.	2-WEGE-BLOCK STECKER	BLOC 2 VOIES M.	BLOQUE 2 VÍAS M.
166	10553019	SPIA ARANCIO D6 230V CA- BLATA	INDICATOR LIGHT ORANGE D6 230V WIRED	KONTROLLLAMPE ORANGE D6 230V VERKABELT	TÉMOIN ORANGE D6 230V CÂBLÉ	PILOTO NARANJA D6 230V CA- BLEADO
167	10809019	VITE TBEI M3X8 BRUNITE	SCREW TBEI M3X8 BRUNITE	LINSENKOPFSCHRAUBE INNENSE- CHSKANT M3X8 BRÜNIERT	VIS TBEI M3X8 BRUNIES	TORNILLO TBEI M3X8 PUL.
168a	10122050A	COMMUTATORE PONT.MONO- FASE	JUMPER SWITCHER SINGLE PHASE	UMSCHALTER ÜBERBRÜCKUNG EINPHASIG	COMMUTATEUR PONT. MONO- PHASÉ	CONMUTADOR PUENT. MO- NOFÁSICO
168b	10122060A	COMMUTATORE PONT.TRIFA- SE	JUMPER SWITCHER THREE PHASE	UMSCHALTER ÜBERBRÜCKUNG DREIPHASIG	COMMUTATEUR PONT. TRIPHASÉ	CONMUTADOR PUENT. TRIFÁSICO
169	10351134	TAP.LDPE TRAS.PER TUBO TRAZ.3/8" M	INLET PIPE TRANSPARENT STOP- PER	INLET PIPE TRANSPARENT STOPPER	INLET PIPE TRANSPARENT STOP- PER	INLET PIPE TRANSPARENT STOP- PER

SEGUE / CONTINUE ---->





POS.	COD.	DESCRIZIONE	DESCRIPTION	BESCHREIBUNG	DESCRIPTION	DESCRIPCIÓN
170a	10052153A	GIGLEUR FORO D3 MANDATA CALDAIA VR	BOILER OUTPUT GIGLEUR HOLE D4 VR	GIGLEUR ÖFFNUNG D3 VORLAUF HEIZKESSEL VR	GICLEUR TROU D3 REFOULEMENT CHAUDIÈRE VR	BOQUILLA ORIFICIO D3 IDA CALDERA VR
170b	10052150B	GIGLEUR FORO D2 MANDATA CALDAIA VR	BOILER OUTPUT GIGLEUR HOLE D2 VR	GIGLEUR ÖFFNUNG D2 VORLAUF HEIZKESSEL VR	GICLEUR TROU D2 REFOULEMENT CHAUDIÈRE VR	BOQUILLA ORIFICIO D2 IDA CALDERA VR
171	10092160A	MANOPOLA PER COMMUTATORE	SWITCHER KNOB	DREHKNOPF FÜR UMSCHALTER	BOUTON POUR COMMUTATEUR	MANDO PARA CONMUTADOR
172	10105028	VITE TC+ M3X32 TRUC.ZN NERA	SCREW TC+ M3X32 TRUC. ZN BLACK	SPANPLATTENSCHRAUBE ZYLINDERKOPF+M3X32 VERZINKT SCHWARZ	VIS TC+ M3X32 TRUC. ZN NOIRE	TORNILLO TC+ M3X32 TRUC.ZN NEGRO
173	10955015	ETICHETTA TRIANGOLO SIMBOLO TENSIONE	TRIANGULAR VOLTAGE LABEL	DREIECKIGER AUFKLEBER SYMBOL SPANNUNG	ÉTIQUETTE TRIANGLE SYMBOLE TENSION	ETIQUETA TRIÁNGULO SÍMBOLO TENSION
174	10905010	TUBO SILICONE TRASPARENTE 7X4	SILICONE HOSE TRANSP. 7X4	SILIKONSCHLAUCH TRANSPARENT 7X4	TUBE SILICONE TRANSPARENT 7X4	TUBO SILICONA TRANSPARENTE 7X4
175	10853068B	1510 RACCORD DIRITTO PORT/GOM 6-1/8" M	STRAIGHT HOSE CONNECTION 1510 6-1/8" M	1510 GERADE VERSCHRAUBUNG SCHLAUCHHALTERUNG 6-1/8" M	1510 RACCORD DROIT POUR TUYAU 6-1/8" M	1510 RACOR RECTO PORTAGOM. 6-1/8" M
176	10355150A	FILTRO POMPA ATTACCO 3/8"	PUMP FILTER 3/8" FITTING	PUMPENFILTER ANSCHLUSS 3/8"	FILTRE POMPE FIXATION 3/8"	FILTRO BOMBA TOMA DE 3/8"
177	13857066	1020 8-1/8" SC GOM.M.OT58 RUV.	L-UNION ROTATING 1/8M	WINKELVERSCHRAUBUNG DREHBAR 1/8M	RACCORD L TOURNANT 1/8M	RACOR EN L GIRATORIO 1/8M
178	10402059	2839 RUB.SCARICO 1/8" F C/ MANOPOLA	DRAIN TAP 2839 1/8" F W/KNOB	2839 ABLAUFHAHN 1/8" F MIT DREHREGLER	2839 ROB. ÉVACUATION 1/8" F AVEC BOUTON	2839 GRIF.VACIADO 1/8" H C. MANDO
179A	10455196	RESISTENZA SCALDATAZZE 2GR 230V 200W D.6,4	CUP WARMER RESISTOR 2GR 230V 200W D.6.4	HEIZELEMENT TASSENWÄRMER 2GR 230V 200W D.6,4	RÉSISTANCE CHAUFFE-TASSES 2GR 230V 200W D.6,4	RESISTENCIA CALIENTA-TAZAS 2GR 230V 200W D.6,4
179B	10455198	RESISTENZA SCALDATAZZE 3GR 230V 250W D.6,4	CUP WARMER RESISTOR 3GR 230V 250W D.6.4	HEIZELEMENT TASSENWÄRMER 3GR 230V 250W D.6,4	RÉSISTANCE CHAUFFE-TASSES 3GR 230V 250W D.6,4	RESISTENCIA CALIENTA-TAZAS 3GR 230V 250W D.6,4
180	10852219	RONDELLA RAME HOV.1/2"D.21X26X3MM	COPPER WASHER 1/2"	UNTERLEGSCHIEBE KUPFER 1/2"	RONDELLE CUIVRE 1/2"	ARANDELA COBRE 1/2"
181	10111010	TERMOSTATO 90° PER RESIST. SCALD.	THERMOSTAT 90° FOR CUP WARMER RESIST.	THERMOSTAT 90° FÜR HEIZELEMENT TASSENWÄRMER	THERMOSTAT 90° POUR RÉSIST. CHAUFF.	TERMOSTATO 90° PARA RESIST. CALENT.
182	10015821A	PROTEZ. FRONT. ANGOLO SX TO	FRONT PROTECT. LH CORNER TO	SCHUTZ FRONT ECKE LINKS TO	PROTEC. FRONT. ANGLE G TO	PROTEC. FRONT. ÁNGULO IZD. TO
183	10015820A	PROTEZ. FRONT. ANGOLO DX TO	FRONT PROTECT. RH CORNER TO	SCHUTZ FRONT ECKE RECHTS TO	PROTEC. FRONT. ANGLE D TO	PROTEC. FRONT. ÁNGULO DCH. TO
184	10852218	RONDELLA D16,8X25X1,5 RAME	WASHER D16,8X25X1.5 COPPER	UNTERLEGSCHIEBE D16,8X25X1.5 KUPFER	RONDELLE D16,8X25X1.5 CUIVRE	ARANDELA D16,8X25X1.5 COBRE

SEGUE / CONTINUE ---->

# TORINO



POS.	COD.	DESCRIZIONE	DESCRIPTION	BESCHREIBUNG	DESCRIPTION	DESCRIPCIÓN
185	10809011	DADO 4MA MEDIO ZN	NUT 4MA MEDIUM ZN	MITTLERE MUTTER 4MA VERZINKT	ÉCROU 4MA MOYEN ZN	TUERCA 4MA MEDIA ZN
186	10505085	OR 3162 SILICONE	OR 3162 SILICON	O-RING 3162 SILIKON	OR 3162 SILICONE	OR 3162 SILICONA
187	10255022	ANTIVIBRANTE 10X10 M4	VIBRATION DAMPER 10X10 M4	SCHWINGUNGSDÄMPFER 10X10 M4	ANTIVIBRATIONS 10X10 M4	ANTIVIBRANTE 10X10 M4
188	10022497B	COPERCHIO VASCHETTA VALVOLA SICUREZZA	SAFETY VALVE TANK COVER	DECKEL SCHALE SICHERHEITSVENTIL	COUVERCLE CUVE SOUPAPE DE SÛRETÉ	TAPADERA CUBA VÁLVULA SEGURIDAD
190	10042070	INIETTORE UNIVERSALE D.8	UNIVERSAL INJECTOR D.8	UNIVERSELLE EINSPRITZDÜSE D.8	INJECTEUR UNIVERSEL D.8	INYECTOR UNIVERSAL D.8
191	10852214	RONDELLA RAME 1/4"	WASHER 1/4" COPPER	UNTERLEGSCHLEIBE KUPFER 1/4"	RONDELLE CUIVRE 1/4"	ARANDELA COBRE 1/4"
193	10402058	GRIGLIA POGGIATAZZE BIANCA	CUP GRILLE WHITE	TASSENABSTELLROST WEISS	GRILLE APPUI TASSES BLANCHE	REJILLA PARA APOYAR TAZAS BLANCA
194	10857540B	2611 1/4"M TAPPO	2611 1/4"M PLUG	2611 1/4"AG VERSCHLUSS	2611 1/4"M BOUCHON	2611 1/4"M TAPON
195	10022489B	VASCHETTA SCARICO VALVOLA DI SICUREZZA	DRIP TRAY SAFETY VALVE	ABFLUSSSCHALE SICHERHEITSVENTIL	CUVE VIDAGE SOUPAPE DE SÛRETÉ	CUBA VACIADO VÁLVULA DE SEGUR.
212	10853332	RACCORDO SCAMB.INF.CALDAIA VR	UNION BOTT. BOILER HEAT EXCHANGER VR	VERSCHRAUBUNG WÄRMETAUSCHER UNTEN HEIZKESSEL VR	RACCORD ÉCHANG. INF. CHAUDIÈRE VR	RACOR INTERCAMB.INF.CALDERA VR
213	10853357	RACCORDO SCAMB.SUP. CALDAIA TV	UNION TOP BOILER HEAT EXCHANGER TV	VERSCHRAUBUNG WÄRMETAUSCHER OBEN HEIZKESSEL TV	RACCORD ÉCHANG. SUP. CHAUDIÈRE TV	RACOR INTERCAMB. SUP. CALDERA TV
214A	10002655C	CALDAIA 3GR D.205	BOILER 3GR D.205	HEIZKESSEL 3GR D.205	CHAUDIÈRE 3GR D.205	CALDERA 3GR D.205
214B	10002658B	CALDAIA 2GR D.205	BOILER 2GR D.205	HEIZKESSEL 2GR D.205	CHAUDIÈRE 2GR D.205	CALDERA 2GR D.205
215	10853053E	PESCANTE DRITTO 1/4"M	INTAKE TUBE 1/4"M	GERADES SAUGROHR 1/4"M	PLONGEUR DROIT 1/4"M	TUBO DE INMERSIÓN RECTO 1/4"M
216	10806324	RONDELLA RAME 3/8	COPPER WASHER 3/8"	UNTERLEGSCHLEIBE KUPFER 3/8"	RONDELLE CUIVRE 3/8"	ARANDELA COBRE 3/8"
217	10806050	DADO M4 X RESISTENZA	NUT M4 X RESISTOR	MUTTER M4 X HEIZELEMENT	ÉCROU M4 X RÉSISTANCE	TUERCA M4 X RESISTENCIA
217	10806052	DADO 1/8 X RESISTENZA	NUT 1/8 X RESISTOR	MUTTER 1/8 X HEIZELEMENT	ÉCROU 1/8 X RÉSISTANCE	TUERCA 1/8 X RESISTENCIA
218	10652040A	VALVOLA DI SFIATO CALDAIA	BOILER AIR VENT VALVE	ENTLÜFTUNGSVENTIL HEIZKESSEL	PURGEUR CHAUDIÈRE	VÁLVULA DE PURGA CALDERA
219	10652058B	VALVOLA SICUREZZA	SAFETY VALVE	SICHERHEITSVENTIL	SOUPAPE DE SÛRETÉ	VÁLVULA DE SEGURIDAD
220	10803533	RONDELLA D.3X0,5 OTTONE	WASHER D.3X0,5 COPPER	UNTERLEGSCHLE. D.3X0,5 MESSING	RONDELLE D.3X0,5 LAITON	ARANDELA D.3X0,5 LATÓN
220	10809024	RONDELLA D.4,3 OTTONE	WASHER D.4,3 COPPER	UNTERLEGSCHLEIBE D.4,3 MESSING	RONDELLE D.4,3 LAITON	ARANDELA D.4,3 LATÓN
223	10112042A	SONDA LIVELLO 140mm	LEVEL SENSOR 140mm	NIVEAUSSENSOR 140mm	SONDE NIVEAU 140mm	SONDA NIVEL 140mm
221	10502020A	RONDELLA PTFE PER RESISTENZA	PTFE WASHER FOR RESISTOR	UNTERLEGSCHLEIBE PTFE FÜR HEIZELEMENT	RONDELLE PTFE POUR RÉSISTANCE	ARANDELA PTFE PARA RESISTENCIA
222	10553074	CUFFIA PARASPRUZZI SILICONE	SILICONE SPLASH GUARD	SPRITZSCHUTZHAUBE SILIKON	CACHE ANTIPROJECTIONS SILICONE	ENVOLTURA ANTISALPICADURAS SILICONA

SEGUE / CONTINUE ---->

# TORINO



POS.	COD.	DESCRIZIONE	DESCRIPTION	BESCHREIBUNG	DESCRIPTION	DESCRIPCIÓN
224A	10106068	PONTE OTT. RESISTENZA	JUMPER RESISTOR COPPER	ÜBERBRÜCKUNG MESSING HEIZELEMENT	PONTET LAITON RÉSISTANCE	PUENTE LAT. RESISTENCIA
224B	10106060	PONTE OTT. RESISTENZA	JUMPER RESISTOR COPPER	ÜBERBRÜCKUNG MESSING HEIZELEMENT	PONTET LAITON RÉSISTANCE	PUENTE LAT. RESISTENCIA
225	10857536B	2611 3/8"F TAPPO RACCORDO	UNION CAP 2611 3/8"F	2611 3/8"F VERSCHLUSS VERSCHRAUBUNG	2611 3/8"F BOUCHON RACCORD	2611 3/8"H TAPÓN RACOR
226	10855032C	1050 8-1/4"M RACC. DRITTO	STRAIGHT-UNION 1050 8-1/4"M	1050 8-1/4"M GERADE VERSCHRAUBUNG	1050 8-1/4"M RACCORD DROIT	1050 8-1/4"M RAC. RECTO
227	10553090	TASTO BOMBATO NERO SER. BIANCA LAMPADINA	ROUNDED BUT. BLACK WHITE SCREEN PRINTED BULB	GEWÖLBTE TASTE SCHWARZ SER. WEISS LEUCHE	TOUCHE BOMBÉE NOIRE SÉR. BLANCHE AMPOULE	TECLA CURVADA NEGRA SER. BLANCA BOMBILLA
228A	10112113	CENTRALINA XLC 1-2-3GR SAP	CONTROL UNIT XLC 1-2-3GR SAP	STEUERGERÄT XLC 1-2-3GR SAP	BOÎTIER XLC 1-2-3GR SAP	CENTRALITA XLC 1-2-3GR SAP
228B	10112072F	CENTRALINA XLC 1-2-3GR SED	CONTROL UNIT XLC 1-2-3GR SED	STEUERGERÄT XLC 1-2-3GR SED	BOÎTIER XLC 1-2-3GR SED	CENTRALITA XLC 1-2-3GR SED
229a	KRPULTO-ZOSED	PULSANTIERA TO 6 TASTI SED	KEYPAD TO 6 KEYS SED	TASTENFELD TO 6 TASTEN SED	COMMANDES TO 6 TOUCHES SED	BOTONERA TO 6 TECLAS SED
229b	KRPULTO-ZOSAP	PULSANTIERA TO 2 TASTI SAP	KEYPAD TO 2 KEYS SAP	TASTENFELD TO 2 TASTEN SAP	COMMANDES TO 2 TOUCHES SAP	BOTONERA TO 2 TECLAS SAP
230	10553080	INTERRUTTORE BIP. GOCCIA	BIP. SWITCH GOCCIA	ZWEIPOLIGER SCHALTER GOCCIA	INTERRUPTEUR BIP. GOUTTE	INTERRUPTOR BIP. GOTA
231	10553076	SUPPORTO D.16 NERO PARASPRUZZI C/ANTIROTATIONE	SUPPORT D.16 BLACK SPLASH GUARD W/ANTI-ROT. DEVICE	HALTERUNG D.16 SCHWARZ SPRITZSCHUTZ MIT DREHSICHERUNG	SUPPORT D.16 NOIR ANTIPROJECTIONS AVEC ANTIROTATION	SOPORTE D.16 NEGRO ANTISALPICADURAS C.ANTIROTACIÓN
232	10553086	TASTO BOMBATO NERO SER. BIANCA TAZZA	ROUNDED BUT. BLACK WHITE SCREEN PRINTED CUP	GEWÖLBTE TASTE SCHWARZ SER. WEISS TASSE	TOUCHE BOMBÉE NOIRE SÉR. BLANCHE TASSE	TECLA CURVADA NEGRA SER. BLANCA TAZA
233	10553088	TASTO BOMB.NERO SER.BIANCA RESIS.	ROUNDED BUT. BLACK WHITE SCREEN PRINTED RESIST.	GEWÖLBTE TASTE SCHWARZ SER. WEISS HEIZELEMENT	TOUCHE BOMB. NOIRE SÉR. BLANCHE RÉSIS.	TECLA CURV.NEGRA SER. BLANCA RESIST.
234a	10102536	CABLAGGIO TO 2GR SAP C/GR E61	WIRING TO 2GR SAP W/GR E61	VERKABELUNG TO 2GR SAP MIT GR E61	CÂBLAGE TO 2GR SAP AVEC GR E61	CABLEADO TO 2GR SAP C.GR E61
234b	10102542B	CABLAGGIO TO 2GR SED C/GR E61	WIRING TO 2GR SED W/GR E61	VERKABELUNG TO 2GR SED MIT GR E61	CÂBLAGE TO 2GR SED AVEC GR E61	CABLEADO TO 2GR SED C.GR E61
235	10102544A	CABLAGGIO SCALDATAZZE TO 2GR C/GR E61	WIRING CUP WARMER TO 2GR W/GR E61	VERKABELUNG TASSENWÄRMER TO 2GR MIT GR E61	CÂBLAGE CHAUFFE-TASSES TO 2GR AVEC GR E61	CABLEADO CALIENTA-TAZAS TO 2GR SED C.GR E61
236	10102534A	CABLAGGIO LUCI TO 2GR C/GR E61	WIRING LIGHTS TO 2GR W/GR E61	VERKABELUNG BELEUCHTUNG TO 2GR MIT GR E61	CÂBLAGE ÉCLAIRAGE TO 2GR AVEC GR E61	CABLEADO LUCES TO 2GR SED C.GR E61
237	10553092	TASTO BOMBATO NERO CIECO	BUTTON ROUNDED BLACK BLIND	GEWÖLBTE TASTE SCHWARZ BLIND	TOUCHE BOMBÉE NOIRE BORGNE	TECLA CURVADA NEGRA CIEGA

SEGUE / CONTINUE ---->

# TORINO



POS.	COD.	DESCRIZIONE	DESCRIPTION	BESCHREIBUNG	DESCRIPTION	DESCRIPCIÓN
238	10553094	STRUTTURA GUIDA TASTO CIECO	GUIDE STRUCTURE BLIND BUTTON	FÜHRUNGSSTRUKTUR BLINDE TASTE	STRUCTURE GUIDE TOUCHE BORGNE	ESTRUCTURA GUÍA TECLA CIEGA
239	10553008	TASTO CIECO SPIA NEON D.6	BLIND BUTTON NEON LIGHT D.6	BLINDE TASTE KONTROLLLAMPE NEON D.6	TOUCHE BORGNE TÉMOIN NÉON D.6	TECLA CIEGA PILOTO NEÓN D.6
240	10554040B	CAVETTO LAMPADA SPOT L790 NERO	WIRE SPOTLIGHT L790 BLACK	KABEL STRAHLERLAMPE L790 SCHWARZ	FIL LAMPE SPOT L790 NOIR	CABLE LÁMPARA SPOT L790 NEGRO
241	10554042B	CAVETTO LAMPADA SPOT L1150 ROSSO C/RES.	WIRE SPOTLIGHT L1150 RED W/ RES.	KABEL STRAHLERLAMPE L1150 ROT MIT HEIZELEMENT	FIL LAMPE SPOT L1150 ROUGE AVEC RÉ.S.	CABLE LÁMPARA SPOT L1150 ROJO C.RES.
242	10554012C	LAMPADA SPOT LED	LED SPOTLIGHT	STRAHLERLAMPE LED	LAMPE SPOT LED	LÁMPARA SPOT LED
243	10554100	ALIMENTATORE LED	LED POWER SUPPLY	LED-NETZTEIL	ALIMENTATION LED	ALIMENTADOR LED
244A	10112067	CAVO PIN TO PIN 1100mm	CABLE, PIN TO PIN, 1100mm	KABEL PIN TO PIN 1.100mm	FIL PIN TO PIN 1100 mm	CABLE PIN TO PIN 1100mm
244B	10112079	CAVO PIN TO PIN 800mm	CABLE, PIN TO PIN, 800mm	KABEL PIN TO PIN 800mm	FIL PIN TO PIN 800mm	CABLE PIN TO PIN 800mm
244C	10112096	CAVO PIN TO PIN 1400mm	CABLE, PIN TO PIN, 1400mm	KABEL PIN TO PIN 1.400mm	FIL PIN TO PIN 1400 mm	CABLE PIN TO PIN 1400mm
245	10805054	VITE TC+ M3X10 A2	SCREW TC+ M3X10 A2	ZYLINDERKOPFSCHRAUBE+ M3X10 A2	VIS TC+ M3X10 A2	TORNILLO TC + M3X10 A2
246	10509016	FILTRO LUCI	FILTER LIGHTS	BELEUCHTUNGSFILTER	FILTRE ÉCLAIRAGE	FILTRO LUCES
248	10857630A	1000 RACC. T 6-1/8"-6 M-M-M	1000 T-UNION T 6-1/8"-6 M-M-M	1000 T-VERSCHRAUBUNG 6-1/8"-6 M-M-M	1000 RACC. T 6-1/8"-6 M-M-M	1000 RAC. T 6-1/8"-6 M-M-M
249	10853090B	POZZETTO PER BULBO	BULB HOLDER	SCHACHT FÜR KUGEL	PUITS POUR BULBE	REGISTRO PARA BULBO
250	10905024	TUBO SILICONE TRASPARENTE 12X18	SILICONE HOSE TRANSP. 12X18	SILIKONSCHLAUCH TRANSPARENT 12X18	TUBE SILICONE TRANSPARENT 12X18	TUBO SILICONA TRANSPARENTE 12X18
262	10002498	TUBO PONTE 1-2° VOL.PI 2-3GR SED	JUMPER TUBE VOL. 1-2 PI 2-3GR SED	ÜBERBRÜCKUNGSROHR 1-2. VOL.PI 2-3GR SED	TUBE PONTET 1-2e VOL. PI 2-3GR SED	TUBO PUENTE 1-2° VOL.PI 2-3GR SED
263	10009028	TUBO VAPORE SX TO 2GR	STEAM HOSE LH TO 2GR	DAMPFROHR LINKS TO 2GR	TUBE VAPEUR G TO 2GR	TUBO VAPOR IZDO. TO 2GR
263	10009062	TUBO VAPORE SX TO 3GR	STEAM HOSE LH TO 3GR	DAMPFROHR LINKS TO 3GR	TUBE VAPEUR G TO 3GR	TUBO VAPOR IZDO. TO 3GR
264	10009034	TUBO PRESSOST.TO 2	PRESSURE SWITCH TUBE TO 2	ROHR DRUCKWÄCHTER TO 2	TUBE PRESSOSTAT TO 2	TUBO PRESOSTATO TO 2
264	10009068	TUBO PRESSOST.TO 3	PRESSURE SWITCH TUBE TO 3	ROHR DRUCKWÄCHTER TO 3	TUBE PRESSOSTAT TO 3	TUBO PRESOSTATO TO 3
265	10002336B	TUBO SCAMB.SUP.TO 2	TUBE TOP HEAT EXCHANGER TO 2	ROHR WÄRMETAUSCHER OBEN TO 2	TUBE ÉCHANG. SUP. TO 2	TUBO INTERCAM.SUP.TO 2
265	10009060	TUBO SCAMB.SUP.TO 3	TUBE TOP HEAT EXCHANGER TO 3	ROHR WÄRMETAUSCHER OBEN TO 3	TUBE ÉCHANG. SUP. TO 3	TUBO INTERCAM.SUP.TO 3
266	10002334A	TUBO SCAMB.INF.MLX 2GR RACC.VR	TUBE BOTT. HEAT EXCHANGER MLX 2GR UNION VR	ROHR WÄRMETAUSCHER UNTEN MLX 2GR VERSCHRAUBUNG VR	TUBE ÉCHANG. INF. MLX 2GR RACC. VR	TUBO INTERCAM.INF.MLX 2GR RAC.VR
267	10805872	VITE TC+ M4X6 ZN	CHEESEHEAD SCREW + M4X6 ZN	KEGELSENKSCHRAUBE+ M4X6 VERZINKT	VIS TC+ M4X6 ZN	TORNILLO TC+ M4X6 GALV SEGUE / CONTINUE ---->

# TORINO



POS.	COD.	DESCRIZIONE	DESCRIPTION	BESCHREIBUNG	DESCRIPTION	DESCRIPCIÓN
268A	10009042A	TUBO ALIMENT.1°GR TO 2GR SED	FILL HOSE 1GR TO 2GR SED	ZULAUFROHR 1.GR TO 2GR SED	TUBE ALIMENT. 1er GR TO 2GR SED	TUBO ALIMENT.1°GR TO 2GR SED
268B	10009076	TUBO ALIMENT.1°GR TO 3GR SED	FILL HOSE 1GR TO 3GR SED	ZULAUFROHR 1.GR TO 3GR SED	TUBE ALIMENT. 1er GR TO 3GR SED	TUBO ALIMENT.1°GR TO 3GR SED
268C	10009080	TUBO PONTE 2°-3°GR TO SAP	CONNECTION TUBE 1-2° GR TO SAP	ÜBERBRÜCKUNGSROHR 1.-2°GR TO SAP	TUBE RACCORD 1-2° GR TO SAP	TUBO PUENTE 1°-2°GR TO SAP
269A	10009032	TUBO PRELIEVO A.CALDA TO 2GR	HOT WATER RUN-OFF TUBE TO 2GR	HEISSWASSERAUSGABEROHR TO 2GR	TUBE EAU CHAUDETO 2GR	TUBO DEMANDA AGUA CALIENTE-TO 2GR
269B	10009066	TUBO PRELIEVO A.CALDA TO 3GR	HOT WATER RUN-OFF TUBE TO 3GR	HEISSWASSERAUSGABEROHR TO 3GR	TUBE EAU CHAUDETO 3GR	TUBO DEMANDA AGUA CALIENTE-TO 3GR
270A	10009030	TUBO VAPORE DX TO 2GR	STEAM HOSE RH TO 2GR	DAMPFROHR RECHTS TO 2GR	TUBE VAPEUR DROIT TO 2GR	TUBO VAPOR DCH. TO 2GR
270B	10009064	TUBO VAPORE DX TO 3GR	STEAM HOSE RH TO 3GR	DAMPFROHR RECHTS TO 3GR	TUBE VAPEUR DROIT TO 3GR	TUBO VAPOR DCH. TO 3GR
271A	10009037	TUBO CARICO CALDAIA TO 2GR	BOILER FILL HOSE TO 2GR	FÜLLROHR HEIZKESSEL TO 2GR	TUBE REMPLISSAGE CHAUDIÈRE TO 2GR	TUBO LLENADO CALDERA TO 2GR
271B	10009071	TUBO CARICO CALDAIA TO 3GR	BOILER FILL HOSE TO 3GR	FÜLLROHR HEIZKESSEL TO 3GR	TUBE REMPLISSAGE CHAUDIÈRE TO 3GR	TUBO LLENADO CALDERA TO 3GR
272	10009039	TUBO ALIMEN.VOLUM.TO 2GR	VOLUM. FILL HOSE TO 2GR	ZULAUFROHR VOLUM.TO 2GR	TUBE ALIMEN. VOLUM. TO 2GR	TUBO ALIMEN.VOLUM.TO 2GR
273	10009040A	TUBO ALIMENT.2°GR TO 2GR	FILL HOSE 2GR TO 2GR	ZULAUFROHR 2.GR TO 2GR	TUBE ALIMENT. 2e GR TO 2GR	TUBO ALIMENT.2°GR TO 2GR
274	10009058A	TUBO SCARICO CALDAIA TO 2GR	BOILER DRAIN HOSE TO 2GR	ABLAUFROHR HEIZKESSEL TO 2GR	TUBE VIDAGE CHAUDIÈRE TO 2GR	TUBO VACIADO CALDERA TO 2GR
295	10052064	TAPPO VASCHETTA DI SCARICO	DRIP TRAY CAP	VERSCHLUSS ABLAUFSCHALE	BOUCHON CUVE DE VIDAGE	TAPÓN CUBA DE VACIADO
298	10352058	PIEDINO POMPA ESTERNA	FOOT FOR EXTERNAL PUMP	FUSS EXTERNE PUMPE	PIED POMPE EXTÉRIEURE	PIE BOMBA EXTERNA
299	10252099	MOTORE ELETTRICO 150W 230V PE 2-3GR	ELECTRIC MOTOR 150W 230V PE 2-3GR	ELEKTROMOTOR 150W 230V PE 2-3GR	MOTEUR ÉLECTRIQUE 150W 230 V PE 2-3GR	MOTOR ELÉCTRICO 150W 230V PE 2-3GR
302	10852486C	TUBO TRAZIONE F90°3/8"F3/8 L.500	DRIVE HOSE 1/4F90°3/8"F3/8 L.500	ZUGROHR 1/4F90°-3/8"F3/8F L.500	TUBE TRACTION 1/4F90°-3/8"F 3/8F L.500	TUBO TRACCIÓN 1/4F90°-3/8"F 3/8F L.500
305	10009057	TUBO ALIMEN. GR TO 2 SAP	FILL HOSE GR TO 2 SAP	ZULAUFROHR GR TO 2 SAP	TUBE ALIMEN. GR TO 2 SAP	TUBO ALIMEN. GR TO 2 SAP

SEGUE / CONTINUE ---->

# TORINO



1	10054466	GRUPPO EROGAZIONE CROMATO GRE61	CHROMED GROUP EROGATION E61
2	10054442	GUARNIZIONE TEFLON M30 Ø35XØI30X2 PTFE	TEFLON GASKET M30 Ø35XØI30X2 PTFE
3	10054468	CORPO CANOTTO SUPERIORE OT57 CR.NSF	UPPER GROUP E61 MUSHROOM
4	10054434	GIGLEUR OTT. FORO Ø0,8 CW510L	GIGLEUR HOLE Ø0,8 CW510L
5	10054436	OR 128 ØI20,62X2,62 EPDM PEROX 70 SHORE	OR 128 ØI20,62X2,62 EPDM PEROX 70 SHORE
6	10805078	VITE TCEI M6X8 INOX UNI 5931	TCEI SCREW M6X8 INOX UNI 5931
7	10054472	GUARNIZIONE PTFE PER VITE M6 D10XD16X1	PTFE SEAL FOR SCREW M6 D10XD16X1
8	10054474	TAPPO LATERALE M30X1,5 OT57	LATERAL CAP M30X1,5 OT57
9	10054476	DIFFUSORE GRUPPO MAT.OT57 USA DEPIOMB	GROUP DIFFUSOR OT57
10	10054478	TAPPO CORPO CANOTTO SUP.M16X1,5 OT57	CAP FOR SUPERIOR DINGHY BODY M16X1,5
11	10054430	GUARNIZIONE Ø22XØ16X2 PTFE GRUPPO CUBE	PTFE GASKET Ø22XØ16X2
12	10502160	GUARNIZ.SOTTOC. H8,5mm GRUPPO E61	H8,5 UNDER CUP SEAL GROUP E61
13	10054444	DOCCETTA ØI57X18,5 AISI304 IMSDR300	DISTRIBUTION GROUP FILTER ØI57X18,5 A304
14	10054432	FILTRO GIGLEUR ØI8,1X22 RETE MF 0,85	GIGLEUR FILTER ØI8,1X22 A304
15	10055130	GRUPPO ER.SAN REMO E61 STEC.RINF.MENON	GROUP INOX E61 FILTER D.8,5X22X0,15





**SANREMO coffee machines s.r.l.**

Via Bortolan, 52

31050 Vascon di Carbonera (Treviso) ITALY

Tel. +39.0422.498900 - Fax. +39.0422.448935

[www.sanremomachines.com](http://www.sanremomachines.com) - E-mail: [info@sanremomachines.com](mailto:info@sanremomachines.com)